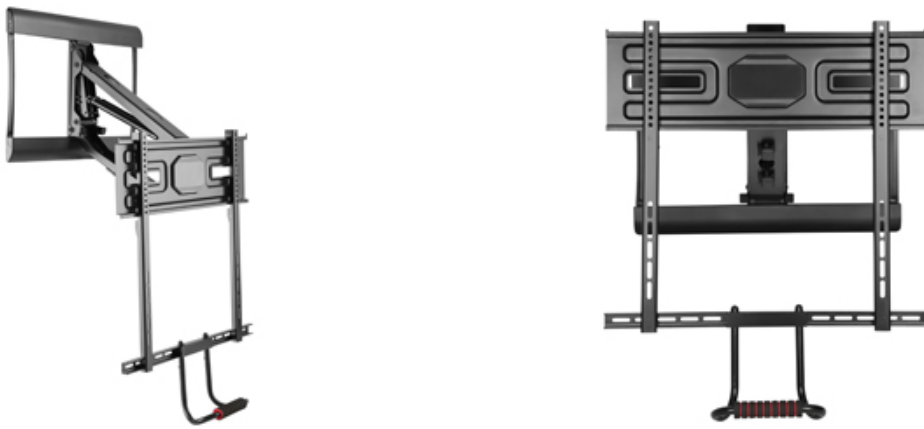


43"-70" Pull-Down TV Wall Mount Bracket

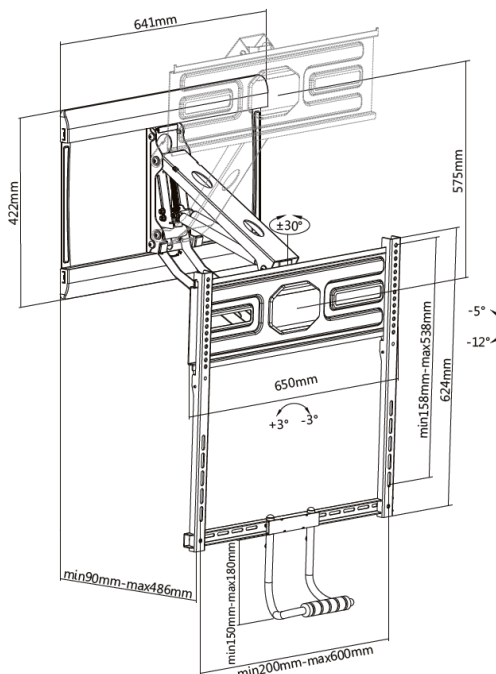
Model No: 650326



Overview

The equip® TV Wall Mount Bracket is a compact but sturdy product that ensures a reliable installation of your LCD/Plasma TV. Follow the graphic guide included in the package, you can install your TV on your own with ease. The wall bracket fits most of the wall materials- brick, concrete and wood, making the ideal choice for you to set up your screens

Drawing



I Key Features

***Swivel and tilt wall mount**

***Gas Piston Auto-Stabilization**

***Built-in Cable management**

I Specification

Material	Steel, Plastic
Surface Finished	Powder Coating
Color	Black
Dimension	572x650x915mm
Pipe Size	N/A
Suggested Screen Size	43" - 70"
Support Curved TV	Yes
Load Capacity	13-35KG
VESA Mount Standard	200x200,300x200,300x300,400x200, 400x300,400x400,600x400
Max. VESA	600 x 400mm
Mounting Hole Pattern	Universal
Distance to Wall	90-486mm
Screen Freely Tilting	Yes
Tilt Range	-5° ~ -12°
Swivel Range	-30°~+30°
Screen Level	-3° ~ +3°
Installation	Solid Wall/Concrete Wall, Double Wooden File
Wall Plate Type	Fixed Wall Plate
Anti-Theft	No
Cable Management	Yes

I Package Contents

- 1 x Wall Mount Bracket
- 1 x Screw Pack
- 1 x Quick Installation Guide