

13"-55" Articulating TV Wall Mount Bracket

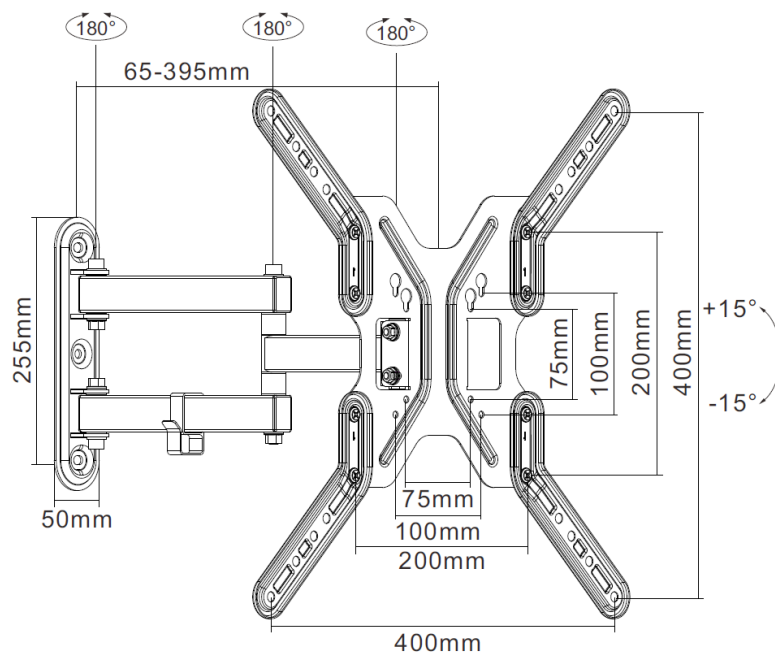
Model No.: 650108



Overview

The equip® TV Wall Mount Bracket is a compact but sturdy product that ensures a reliable installation of your LCD/Plasma TV. Follow the graphic guide included in the package, you can install your TV on your own with ease. The wall bracket fits most of the wall materials- brick, concrete and wood, making the ideal choice for you to set up your screens.

Drawing



I Key Features

- Swivel and tilt wall mount
- Built-in Cable management
- Integrated bubble level assures easy installation alignment
- VESA standards compliant

I Specification

Material	Steel
Surface Finished	Powder Coating
Color	Black
Dimension	403x403x395mm
Suggested Screen Size	13"-55"
Support Curved TV	No
Load Capacity	30KG (66LBS)
VESA Mount Standard	75x75, 100x100, 200x100, 200x200,400x400mm
Max. VESA	400x400mm
Mounting Hole Pattern	Standard VESA
Distance to Wall	65-395mm
Screen Freely Tilting	No
Tilt Range	-15° ~ +15°
Swivel Range	-90° ~ +90°
Installation	Single Stud
Wall Plate Type	Slide-In Wall Plate
Anti-Theft	No
Cable Management	Yes

I Package Contents

- 1 x Wall Mount Bracket
- 1 x Screw Pack
- 1 x Quick Installation Guide

