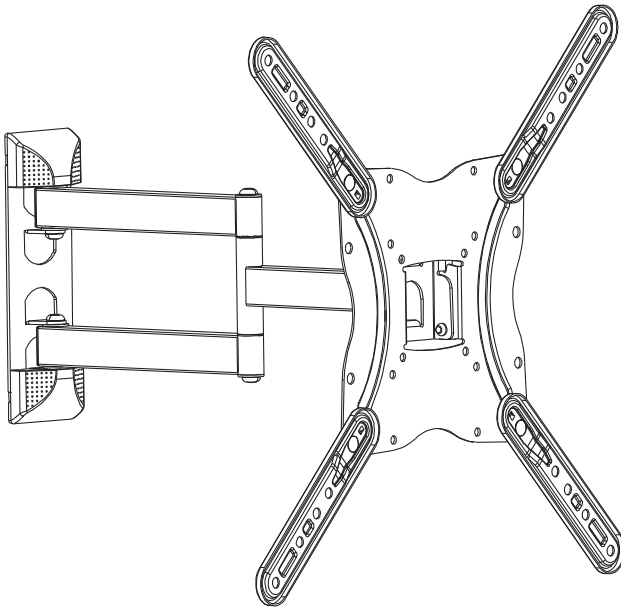




# 13"-55" Articulating TV Wall Mount Bracket



CAUTION: DO NOT EXCEED RATED LISTED WEIGHT. SERIOUS INJURY OR PROPERTY DAMAGE MAY OCCUR!

650407

**VESA**

75x75 100x100  
200x100 200x200  
300x300 400x400

MOST

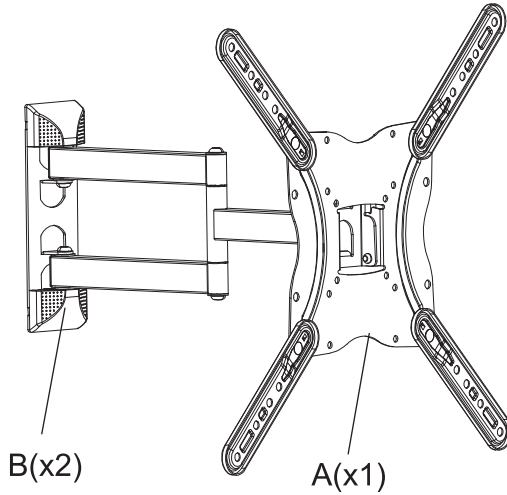
**13" - 55"**

TVs

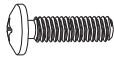


**30kg/66lbs**

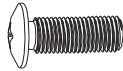
**INSTALLATION MANUAL**



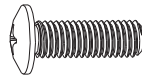
M4x14 (x4)  
M-A



M5x14 (x4)  
M-B



M6x14 (x4)  
M-C



M8x20 (x4)  
M-D



M8x50 (x4)  
M-E



D5 washer (x4)  
M-F



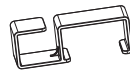
D8 washer (x4)  
M-G



D8xH5(x8)  
M-H



D8xH15(x4)  
M-I



cable ring (x4)  
M-J

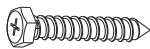


K(x4)

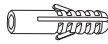


L(x4)

J(x4)



W-A(x4)

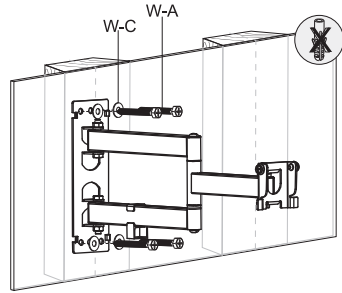
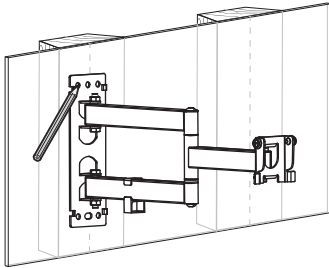
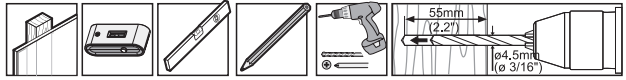


W-B(x4)

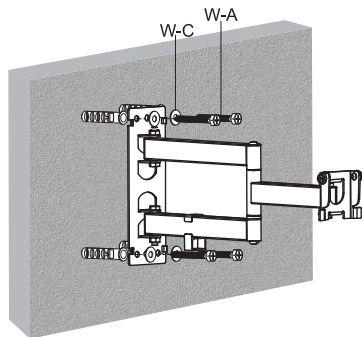
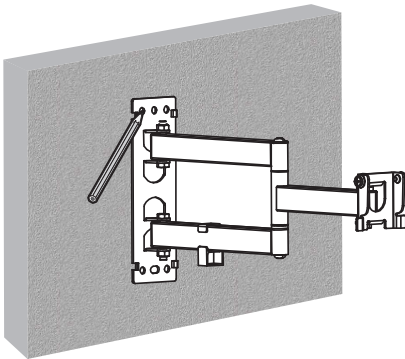


W-C(x4)

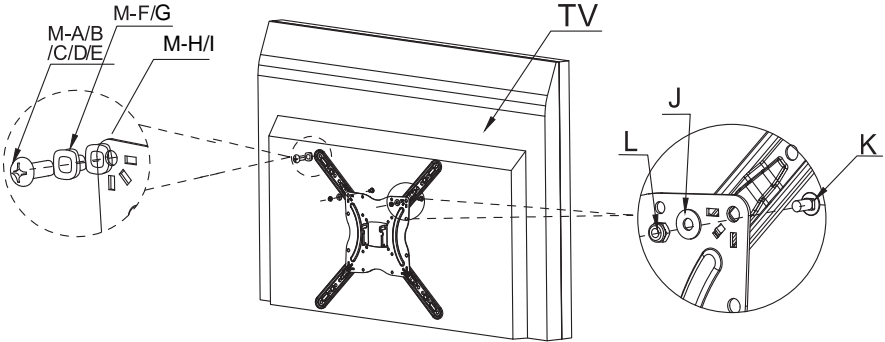
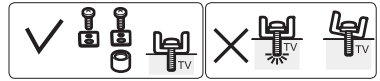
1.1



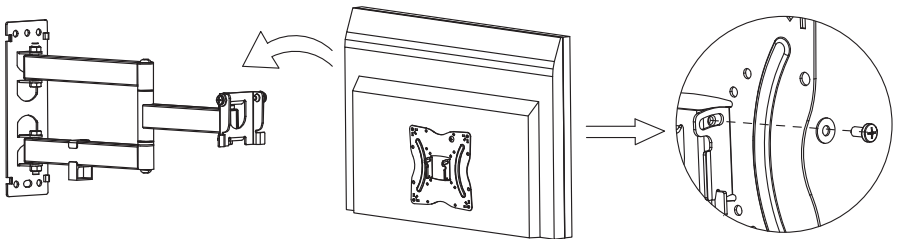
1.2



2.



3.1



3.2

