

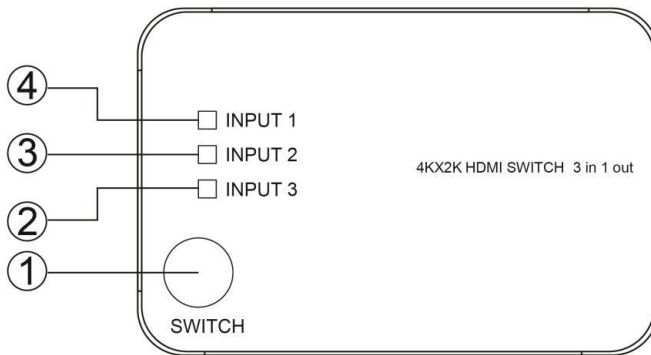
332721

## HDMI 1.4 Switch 3x1

### Operation controls and Functions

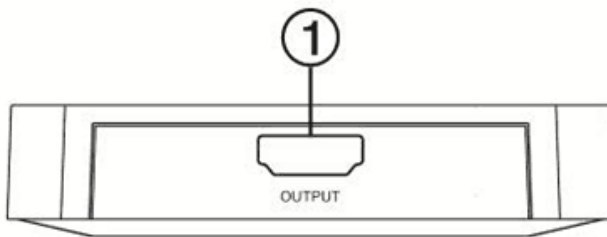
#### Top Panel:

- 1.Switch: Press button to switch input sources
- 2~4.LED: Indicates active HDMI source



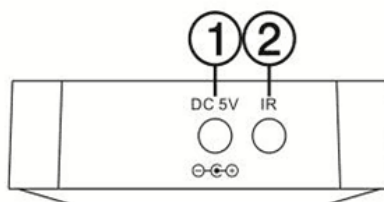
#### Front:

1. HDMI output port, connect to HDTV or monitor with HDMI cable



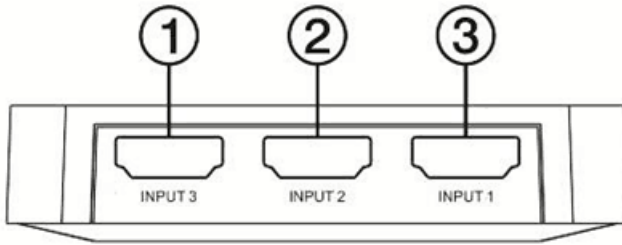
#### Right:

1. DC In
2. IR Socket

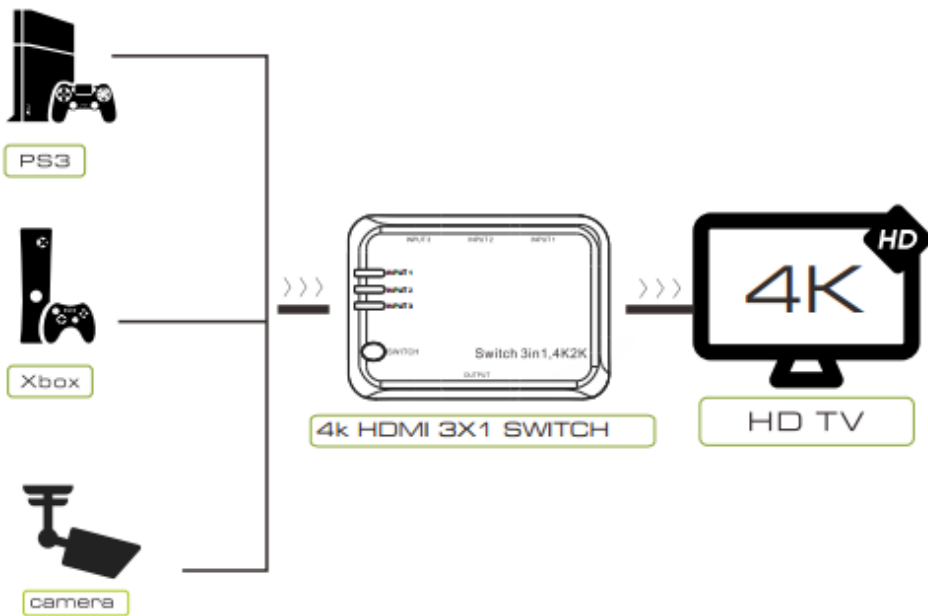


**Rear:**

1~3: HDMI input port, connect DVD, PS3, Set-top Box or Note Book with HDMI cable



**Connection diagram**



**Package contents:**

- 1.HDMI Switch.....1pcs
- 2.USB to DC Power Supply cable.....1pcs
- 3.Remote Controller.....1pcs
- 4.IR Receive Extend cable.....1pcs
- 4.Operation Manual.....1pcs