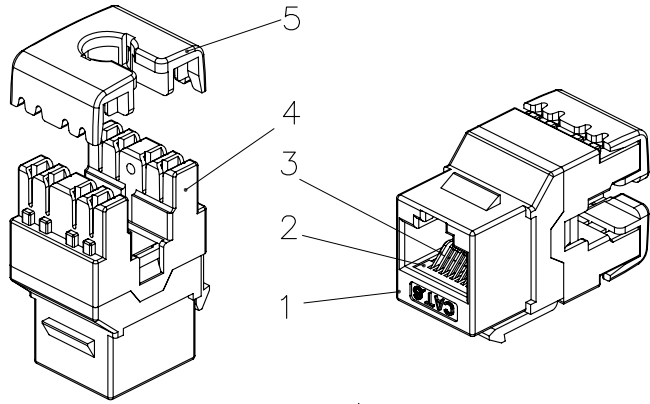
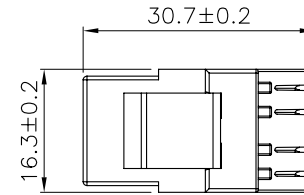
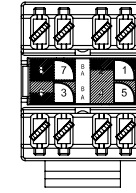
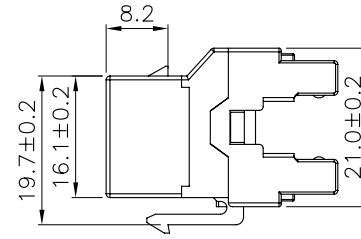
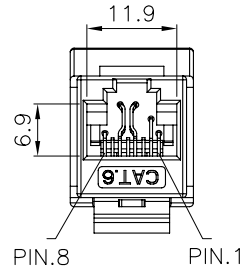


1 2 3 4 5 6

A



SCALE 1/1



Specification :

Material :

1. RJ45 Jack Housing : ABS+PC, UL 94V-0, with optional color.
2. Contact Bracket : PC, UL 94V-2, Transparent color.
3. RJ45 Jack Contact :
 - 3-1. Material : Phosphor Bronze with Nickel plated
 - 3-2. Finish : 50 micro-inch Gold plated on Plug contact area.
4. IDC :
 - 4-1. Housing : PC+Glass Fiber, UL 94V-2
 - 4-2. Terminal : Phosphor Bronze with Tin plated.
5. IDC CAP : ABS, UL 94V-0.
6. PCB : FR4, UL 94V-0.

B

B

C

C

D

D

1 2 3 4 5 6 0 10cm