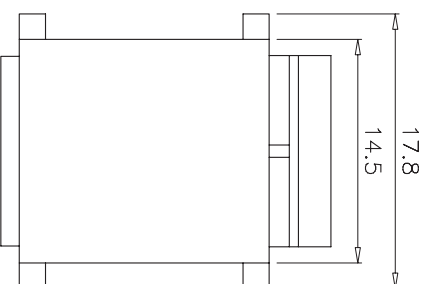
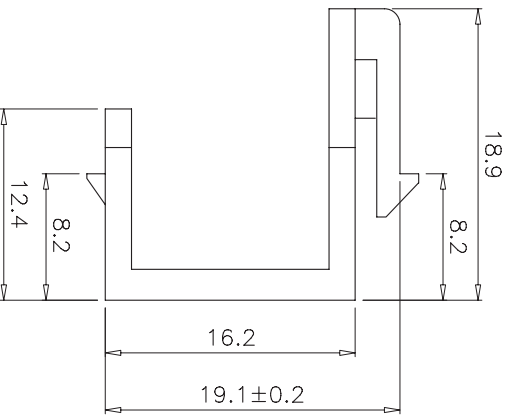
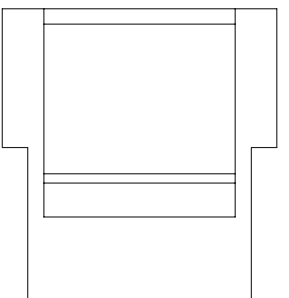


SCALE 2/1



Specification :

Material :  
1. Plastic : ABS, UL94V-0.

GENERAL TOLERANCE OF DIMENSIONS  
XXXX ±0.005  
XXX ±0.05  
XX ±0.1

DRAWING	11.MAY.2009	CXC
CHECK	11.MAY.2009	JANE
APPROVAL	11.MAY.2009	JAIMY
DATE		NAME
SCALE	2/1 (A4)	UNIT
		mm

DRAWING NO.	PBAJNA3101XX001	MU5-B-XX(SA2)
DRAWING CLASSIFICATION	S	SHEET 1 OF 1



DES.:

ITEM NO.:



10cm

