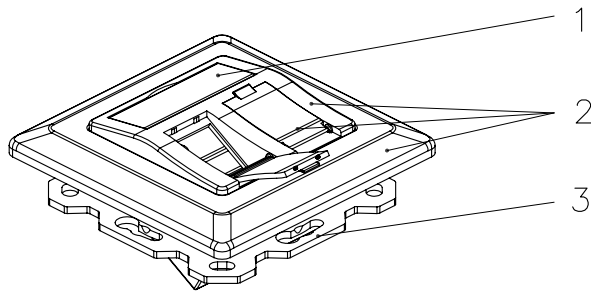


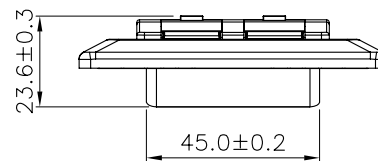
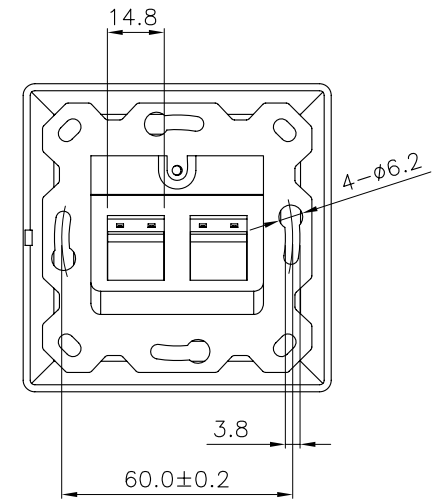
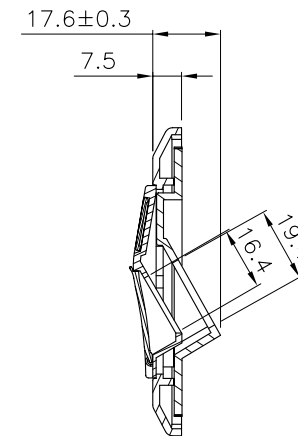
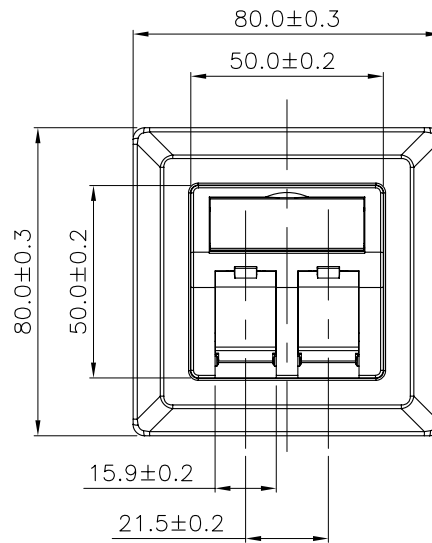
1 2 3 4 5 6

A

A



SCALE 1/2



B

B

C

C

### Specification :

#### Material :

- 1. Identification :
  - 1-1. I.D. Plate : PVC, Transparent color.
  - 1-2. Paper.
  - 1-3. Frame : ABS, UL 94V-0.
- 2. Flush Plate : ABS, UL 94-HB.
- 3. Shield : Zinc Die-casting.



# 760303

D

D

1 2 3 4 5 6 0 10cm