

1

2

3

4

5

6

A

A

B

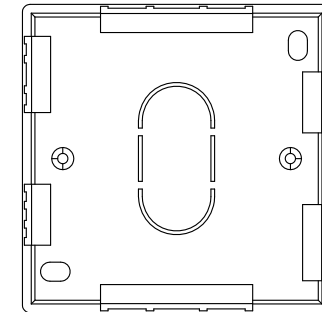
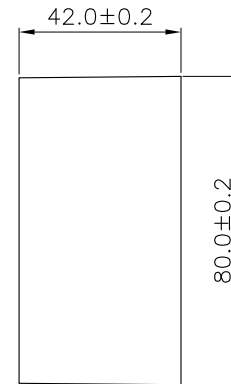
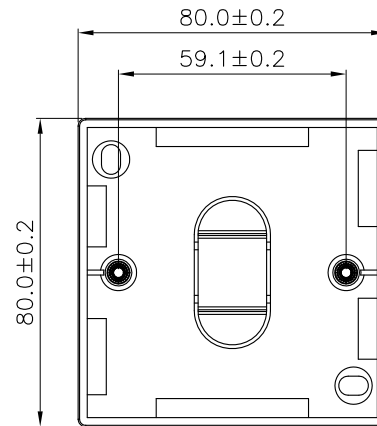
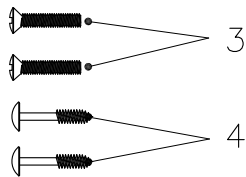
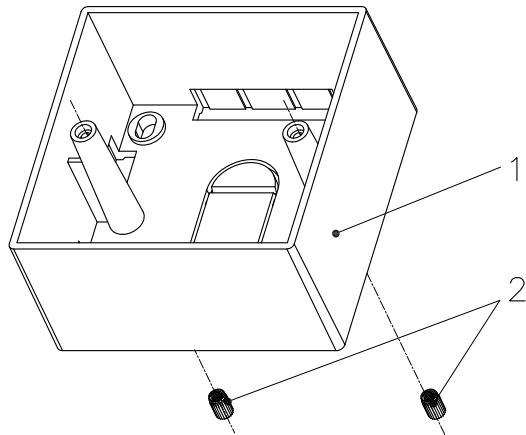
B

C

C

D

D



SCALE 1/2

Specification :

Material :

- 1. Box : ABS, UL 94-HB, with optional color.
- 2. Screw nut :  $\varnothing 5.5 \times 6.5$ mm.
- 3. Screw : M3.5X17.6X6.6mm.
- 4. Screw : M3.5X19.0X7.5mm.



760302 & 761302

1

2

0

3

4

10cm

5

6