

www.equip-info.net

23" - 42" Articulating TV Wall Mount Bracket

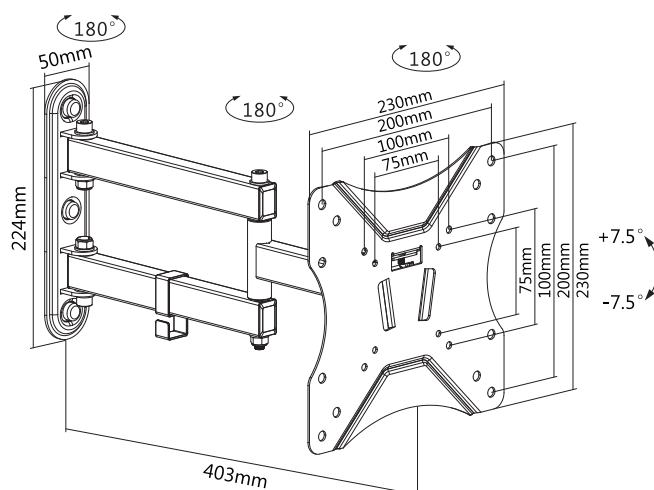
Model No.: 650404



I Overview

The equip[®] TV Wall Mount Bracket is a compact but sturdy product that ensures a reliable installation of your LCD/Plasma TV. Follow the graphic guide included in the package, you can install your TV on your own with ease. The wall bracket fits most of the wall materials- brick, concrete and wood, making the ideal choice for you to set up your screens.

I Drawing



I Key Features

- Adjustment knob enables a full range of tilt action
- Full motion mount
- VESA standards compliant

I Specification

Material	Steel
Surface Finished	Powder Coating
Color	Black
Dimension	230x230x403mm
Sheet Metal Thickness	Panel T=1.5mm, Wall Panel T=2.5mm
Suggested Screen Size	23" - 42"
Support Curved TV	No
Load Capacity	25KG
VESA Mount Standard	75x75, 100x100, 200x100, 200x200
Max. VESA	200x200mm
Mounting Hole Pattern	Standard VESA
Distance to Wall	72 ~ 403mm
Screen Freely Tilting	Yes
Tilt Range	+7.5° ~ -7.5°
Swivel Range	+90° ~ -90°
Panel Type	Detachable Panel
Free Height Adjustable	No
Installation	Single Stud
Wall Plate Type	Fixed Wall Plate
Cable Management	Yes
Pipe Size	30x20x1.5mm

I Package Contents

- 1 x Wall Mount Bracket
- 1 x Screw Pack
- 1 x Quick Installation Guide

