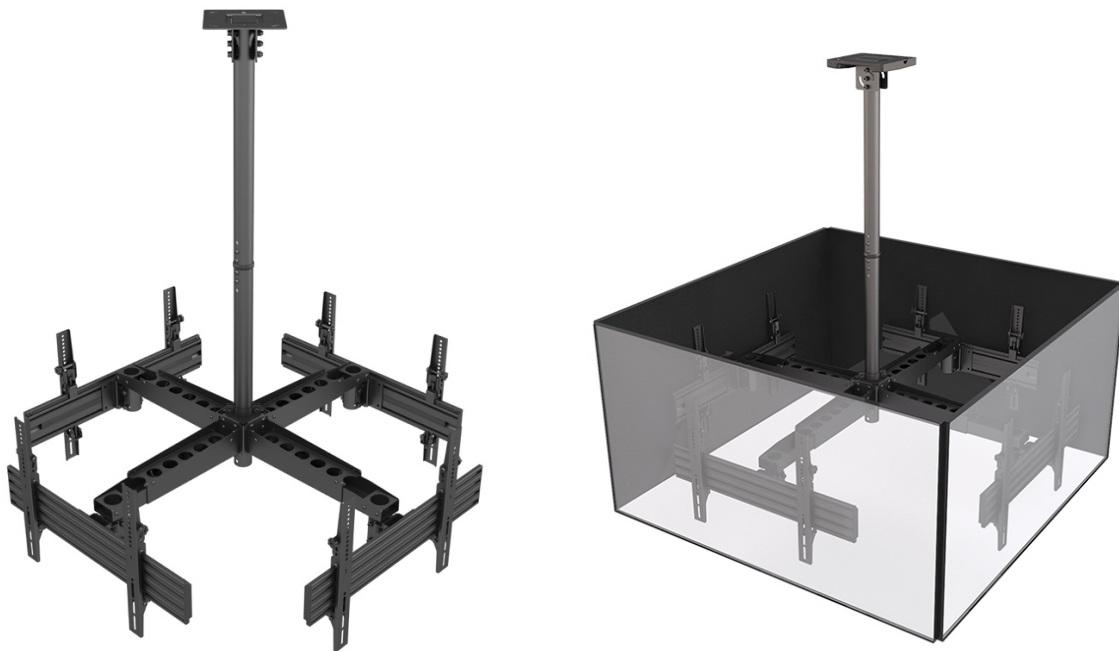


32"-65" Ceiling Mount Quad Screen TV Bracket

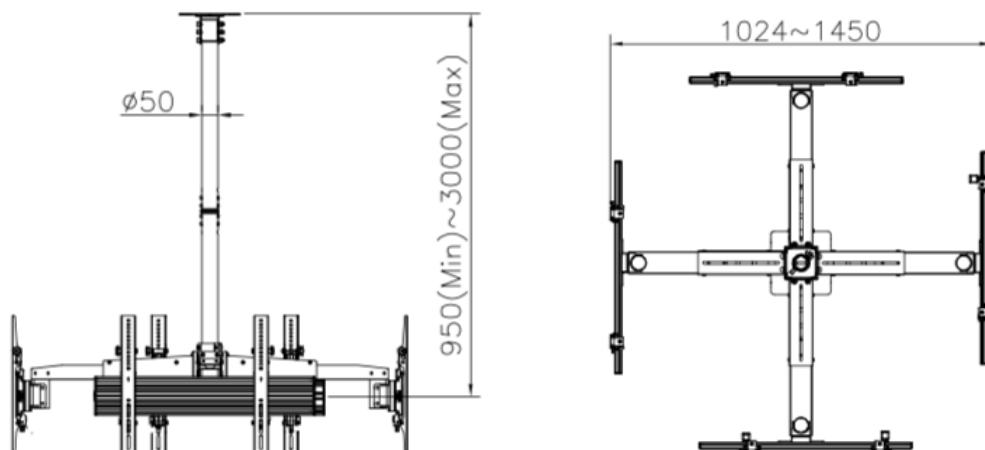
Model No.: 650372



I Overview

The equip[®] industrial-grade Quad Ceiling mount bracket mounting 4 displays in a commercial or digital signage application. Pinned tilt adjustment allows installation with precise and uniform screen angles, especially important when installing multiple flat panels in one area.

I Drawing



I Key Features

- Compatible with landscape and portrait mounting
- Adjustment knob enables a full range of tilt/swivel action
- Built in cable management
- Integrated bubble level assures easy installation alignment

I Specification

Material	Aluminum, Steel, Plastic
Surface Finished	Powder Coating & Anodized Aluminum
Color	Black
Dimension	3000x690x690mm
Suggested Screen Size	32" - 65"
Support Curved TV	No
Screen Q'ty	4
Load Capacity	30KG (Per Screen)
VESA Mount Standard	100x100 ~ 600x400
Tilt Range	0°~ 15°
Horizontal Adjustment	±4°
Cable Management	Yes

I Package Contents

- 1 x Ceiling Mount Quad Screen TV Bracket
- 1 x Screw Pack
- 1 x Quick Installation Guide