

32"-65" Modular Push-In Pop-Out TV Wall Mount Bracket

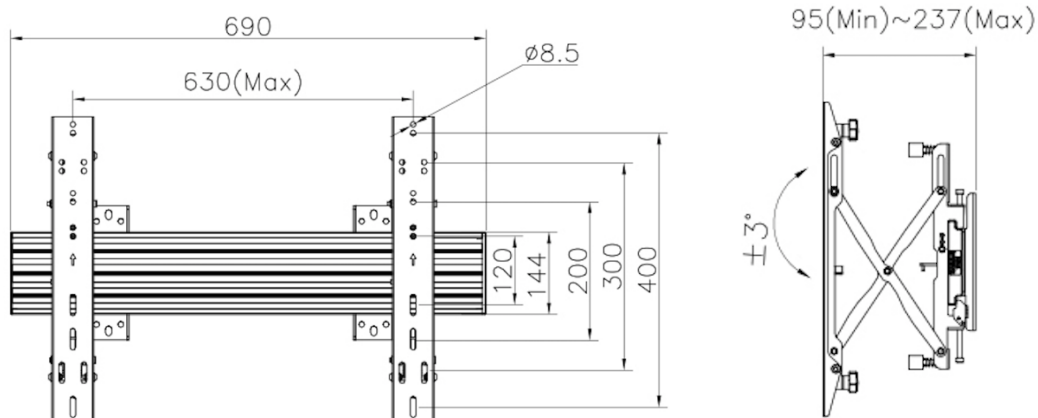
Model No.: 650355



I Overview

The equip® Push-In Pop-Out TV Wall Mount Bracket is a video wall solution quick to install, and easy to configure. Made especially for video wall applications. This is a professional mount focusing on multiple screen installations, easy and fast installation and simplified maintenance. The Push-In Pop-out feature gives easy-access to any display for quick serviceability. This is one of the major functions needed when building a video wall mounting solution or when integrating a single screen into the wall.

I Drawing



I Key Features

- Compatible with landscape and portrait mounting
- Push-In Pop-Out for easy access and after service
- Built in cable management
- Modular mount with unlimited video display configurations

I Specification

Material	Steel
Surface Finished	Powder Coating
Color	Black
Dimension	690x447x95mm
Suggested Screen Size	32" - 65"
Support Curved TV	No
Screen Q'ty	1
Load Capacity	30KG
VESA Mount Standard	100x100 ~ 600x400
Tilt Range	-3° ~ +3°
Screen Rotation	+180° ~ -180°
Distance to Wall	65~80mm
Pop-Out Wall Distance	95-237mm
Cable Management	Yes

I Package Contents

- 1 x Modular Push-In Pop-Out TV Wall Mount Bracket
- 1 x Screw Pack
- 1 x Quick Installation Guide

