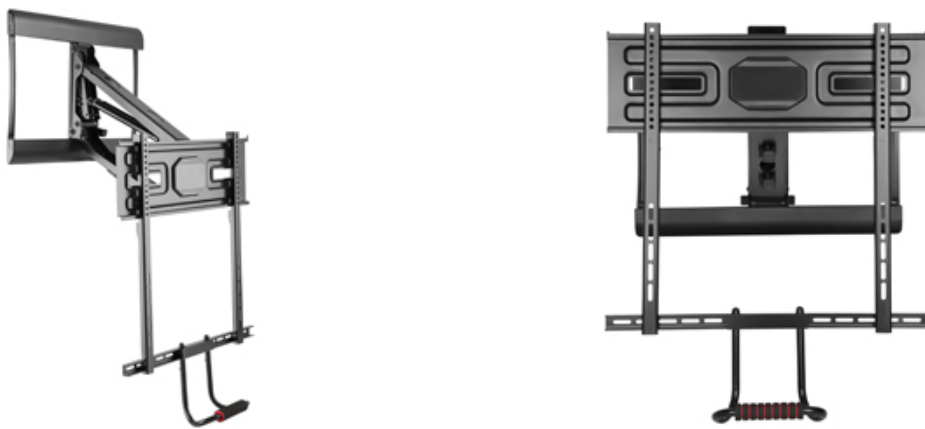


## 43"-70" Pull-Down TV Wall Mount Bracket

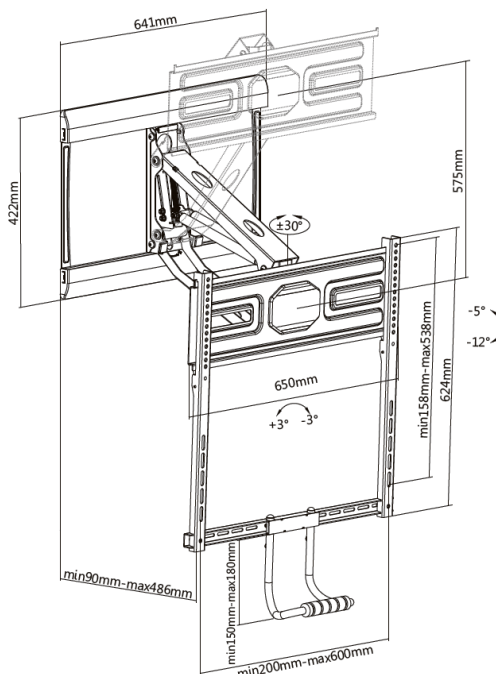
Model No: 650326



### I Overview

The equip® TV Wall Mount Bracket is a compact but sturdy product that ensures a reliable installation of your LCD/Plasma TV. Follow the graphic guide included in the package, you can install your TV on your own with ease. The wall bracket fits most of the wall materials- brick, concrete and wood, making the ideal choice for you to set up your screens

### I Drawing



[www.equip-info.net](http://www.equip-info.net)

## I Key Features

**\*Swivel and tilt wall mount**

**\*Gas Piston Auto-Stabilization**

**\*Built-in Cable management**

## I Specification

<b>Material</b>	Steel, Plastic
<b>Surface Finished</b>	Powder Coating
<b>Color</b>	Black
<b>Dimension</b>	572x650x915mm
<b>Pipe Size</b>	N/A
<b>Suggested Screen Size</b>	43" - 70"
<b>Support Curved TV</b>	Yes
<b>Load Capacity</b>	13-35KG
<b>VESA Mount Standard</b>	200x200,300x200,300x300,400x200, 400x300,400x400,600x400
<b>Max. VESA</b>	600 x 400mm
<b>Mounting Hole Pattern</b>	Universal
<b>Distance to Wall</b>	90-486mm
<b>Screen Freely Tilting</b>	Yes
<b>Tilt Range</b>	-5° ~ -12°
<b>Swivel Range</b>	-30°~+30°
<b>Screen Level</b>	-3° ~ +3°
<b>Installation</b>	Solid Wall/Concrete Wall, Double Wooden File
<b>Wall Plate Type</b>	Fixed Wall Plate
<b>Anti-Theft</b>	No
<b>Cable Management</b>	Yes

## I Package Contents

- 1 x Wall Mount Bracket
- 1 x Screw Pack
- 1 x Quick Installation Guide