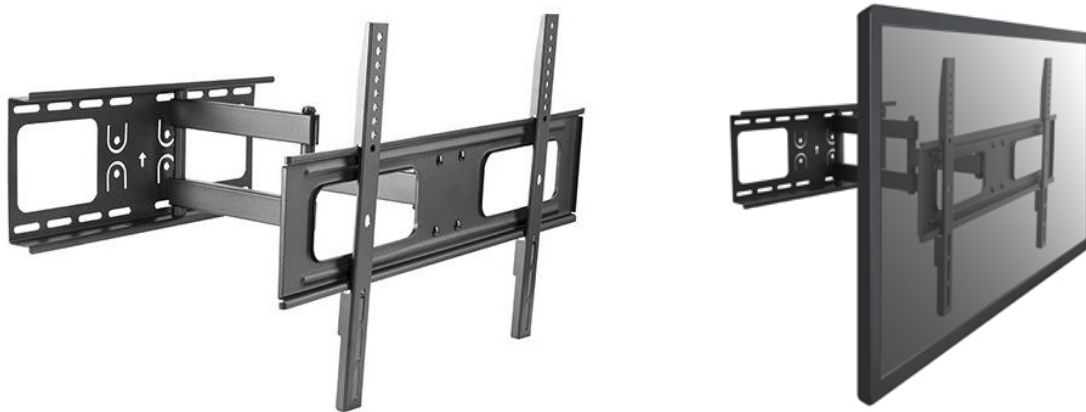


## 37" - 70" Articulating TV Wall Mount Bracket

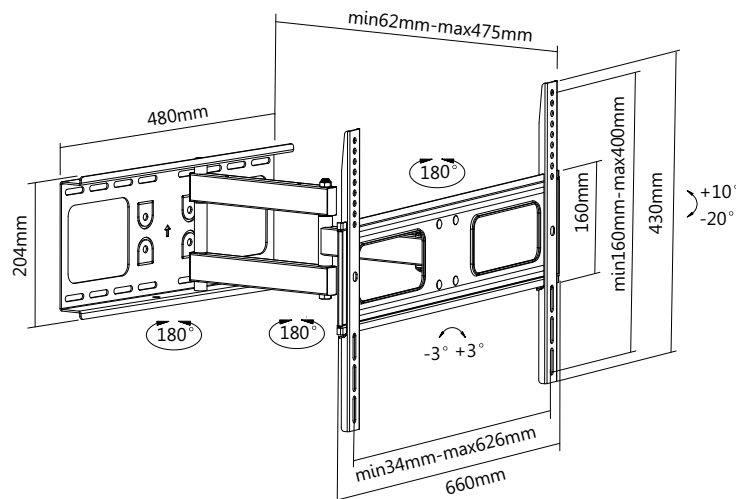
Model No.: 650316



### I Overview

The equip® TV Wall Mount Bracket is a compact but sturdy product that ensures a reliable installation of your LCD/Plasma TV. Follow the graphic guide included in the package, you can install your TV on your own with ease. The wall bracket fits most of the wall materials- brick, concrete and wood, making the ideal choice for you to set up your screens.

### I Drawing



## I Key Features

- Full Motion mount
- Support level adjustment
- VESA standards compliant

## I Specification

<b>Material</b>	Steel
<b>Surface Finished</b>	Powder Coating
<b>Color</b>	Black
<b>Dimension</b>	475x660x430mm
<b>Pipe Size</b>	40x20x1.5mm
<b>Suggested Screen Size</b>	37" - 70"
<b>Support Curved TV</b>	Yes
<b>Load Capacity</b>	50KG
<b>VESA Mount Standard</b>	200x200, 300x300, 400x200, 400x400, 600x400
<b>Max. VESA</b>	626x400mm
<b>Mounting Hole Pattern</b>	Universal
<b>Distance to Wall</b>	62 - 475mm
<b>Screen Freely Tilting</b>	Yes
<b>Tilt Range</b>	-20° ~ +10°
<b>Swivel Range</b>	-90° ~ +90°
<b>Screen Level</b>	-3° ~ +3°
<b>Installation</b>	Single Stud
<b>Wall Plate Type</b>	Fixed Wall Plate
<b>Anti-Theft</b>	No
<b>Cable Management</b>	Yes

## I Package Contents

- 1 x Wall Mount Bracket
- 1 x Screw Pack
- 1 x Quick Installation Guide

