

13" - 32" Articulating Monitor Tabletop Stand

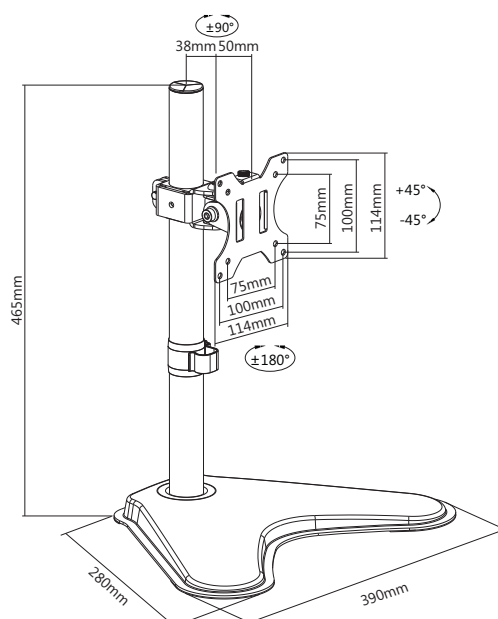
Model No.: 650122



I Overview

The equip® Monitor Desk Mount Bracket is a compact but sturdy product that ensures a reliable installation of your LCD/LED monitor. Follow the graphic guide included in the package, you can install your monitor on your own with ease.

I Drawing



www.equip-info.net

I Key Features

- Built in cable management
- Freely adjusting height for an optimal ergonomic position
- VESA standards compliant

I Specification

Material	Steel
Surface Finished	Powder Coating
Color	Black
Dimension	390x280x465mm
Suggested Screen Size	13" - 32"
Support Curved Monitor	No
Load Capacity	8KG
VESA Mount Standard	75x75, 100x100
Screen Quantity	1
Tilt Range	+45° ~ -45°
Swivel Range	+45° ~ -45°
Screen Rotation	+180° ~ -180°
Pole Height	465mm
Quick Release VESA Plate	Yes
Installation	Freestanding
Anti-Theft	No
Cable Management	Yes

I Package Contents

- 1 x Monitor Tabletop Stand
- 1 x Screw Pack
- 1 x Quick Installation Guide