



**Pop-Up Desktop
Power Distribution
Unit, 3 Bays with
USB, Aluminum Shell**

333304

The equip[®] Pop-Up Desktop Power Distribution Unit is a sturdily-built product designed to distribute clear and crisp electricity. The product is thoroughly tested to ensure the functionality and reliability. Attached with an 1.8m cable, easy-to-install mechanical design.

| Specification

Input Socket	1 x Schuko Male
Output Socket	3 x DIN49440 (Schuko)
Power Core	3 x 1.5mm ² x 1.8m
USB	2 x USB Female, 2.1A Total
Rating	250VAC, 50/60Hz / 16A
Material	Aluminum Shell
Dimension	320 x 85 x 85mm

| Ordering Information

PN	EAN	Weight
333304	4015867199473	740g

| Key Feature

- Fit into 60mm hole on table

| Package Contents

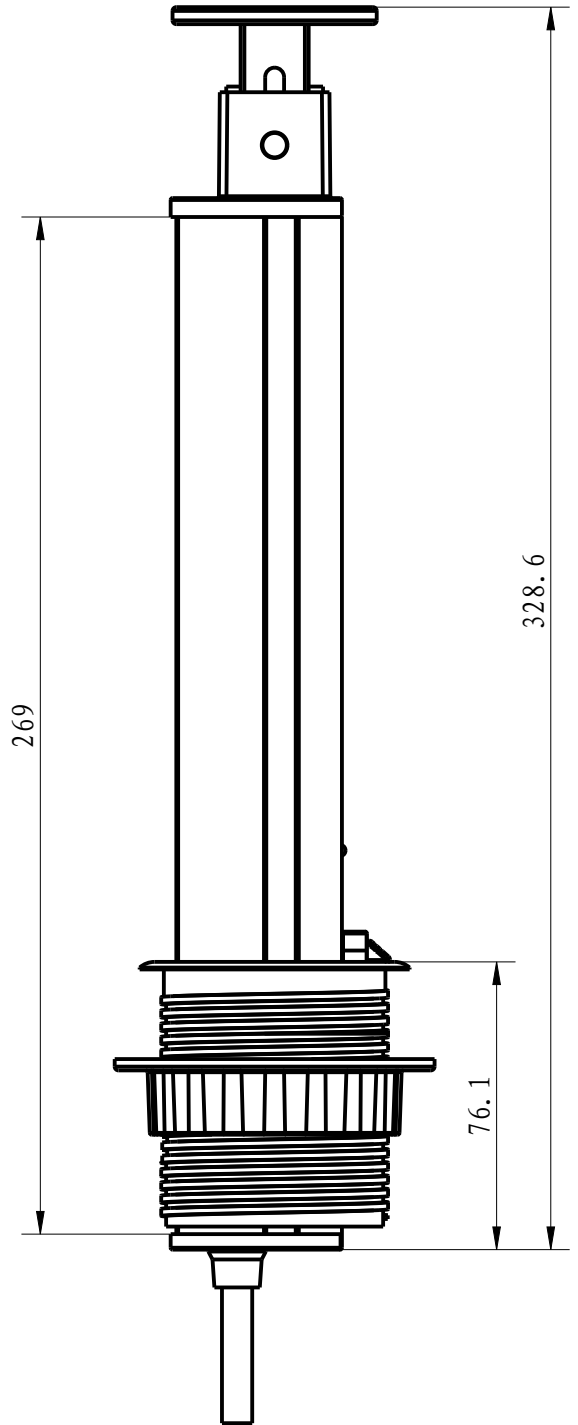
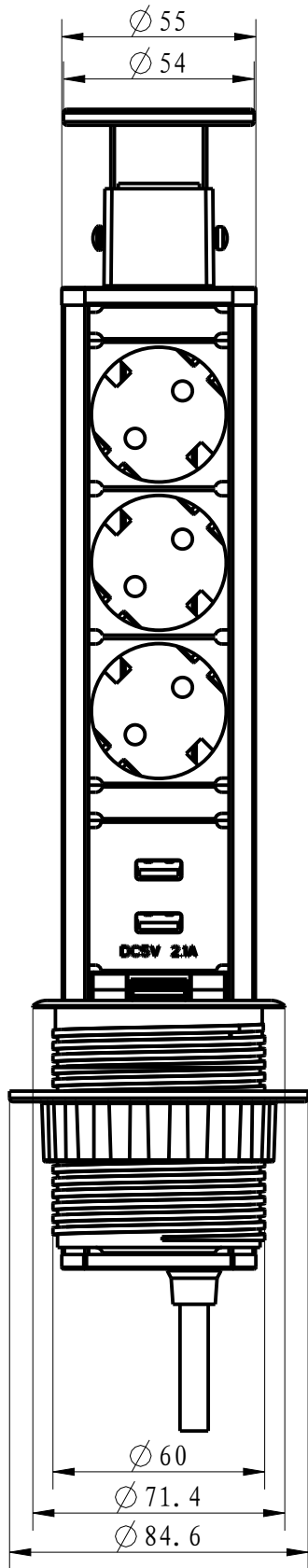
- 1 x Pop-Up Power Distribution Unit

Packing :

Corrugated Box (3600x110x100mm)



A
B
C
D
E
F



JS 13 表格

0-3	±0.07
3-6	±0.09
6-10	±0.11
10-18	±0.135
18-30	±0.165
30-50	±0.195
50-80	±0.23
80-120	±0.27
120-180	±0.315
180-250	±0.36



Model No: 333304