



3-Outlet Power Strip

333280

The equip[®] Power Distribution Unit is a sturdily-built product designed to distribute clear and crisp electricity. The product is thoroughly tested to ensure the functionality and reliability. Attached with 1.1m cable, easy-to-install mechanical design

| Specification

Input Socket	1 x C14 Male
Output Socket	3 x Schuko
Cable Length	1.1m
Rating	220-240VAC, 50/60Hz / 10A
Material	Plastic Casing
Dimension	53.5 x 163.5 x 39.7mm

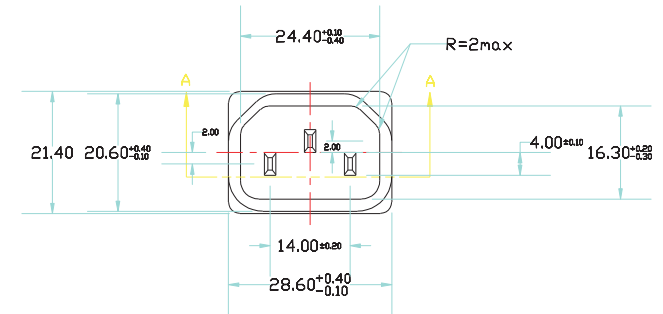
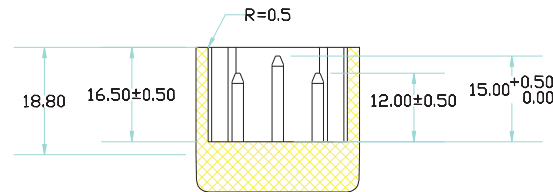
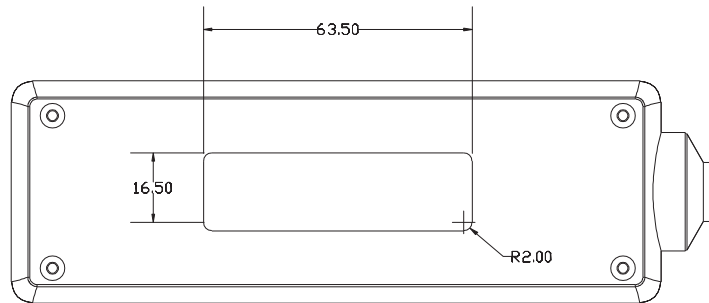
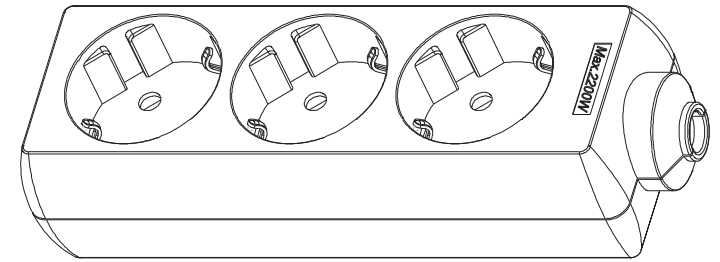
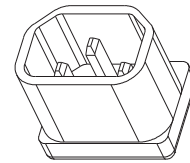
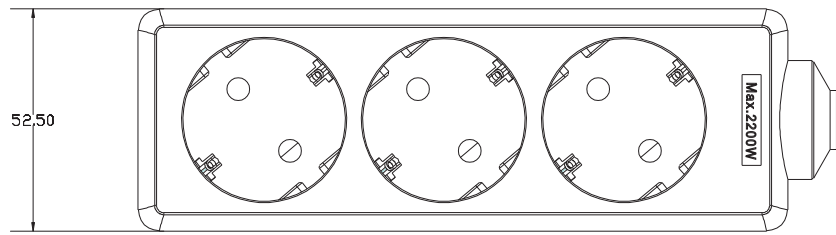
| Package Contents

- 1 x 3-Outlet Power Strip

| Ordering Information

PN	EAN
333280	4015867157770

Packing : Corrugated Box



3-Outlet Power Strip

333280

Specification:

**Input socket: 1 x C14 IEC320 **Output

Socket: 3 x Schuko Cable **Length: 1.1m

**Rating: 220-240VAC~ 50/60Hz / 10A

**Material : Plastic Case

**Dimension: 165.5 x 52.5x40 mm

