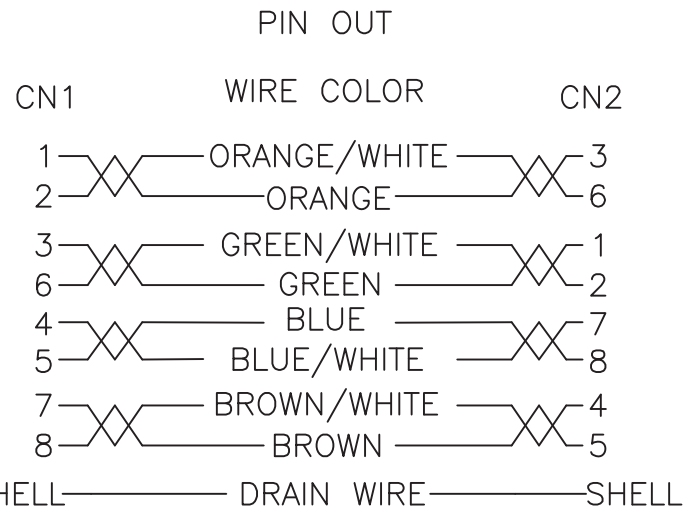


MATERIAL LIST:

NO.	PARTS NAME	SPECIFICATION DESCRIPTION
①	CABLE	FTP [26AWG(CCA)*1PR]*4+D+A+PVC OD:5.2±0.3mm COLOR:Assorted upon request
②	RJ45 CONNECTOR	RJ45,8P8C,TWO FORK GOLD PLATED CONTACTS WITH METAL HOUSING
③	MOLDING PVC	MOLDING PVC 45P COLOR:Assorted upon request

Marking: equip CAT5e F/UTP PATCH CABLE 4PR 26AWG ISO/IEC 11801 & EN 50288 & TIA/EIA-568-C.2



ELECTRONIC TEST:
A.OPEN/SHORT/INTERMITTENCE: 100%.

REMARK NO	CHA.NO	SIGNATURE	DATE	SIGN	W.T	SCALE
DRAWN BY	Renzhi					
CHECKED BY						
AUDITED BY		APPROVED BY				
CRAFT		DATE	2016.03.28	PAGE	OF	



FTP CAT 5E 26AWG

ITEM NO. (SECTION SHEET)