

1 2 3 4 5 6

A

B

C

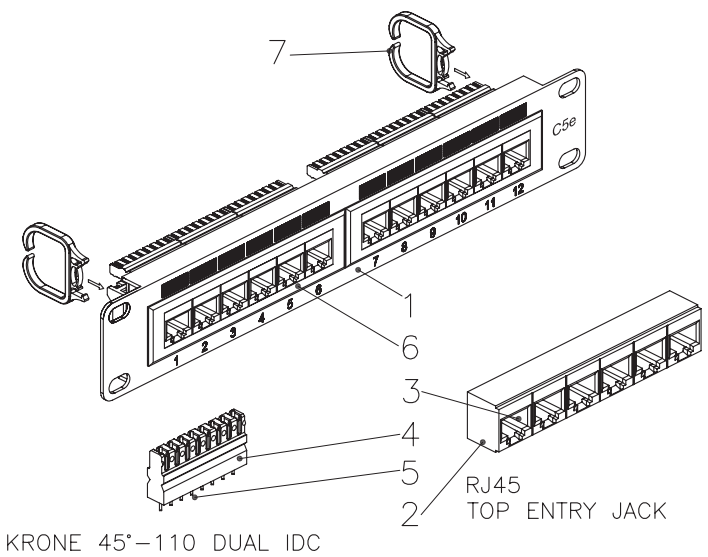
D

A

B

C

D



SCALE 1/3

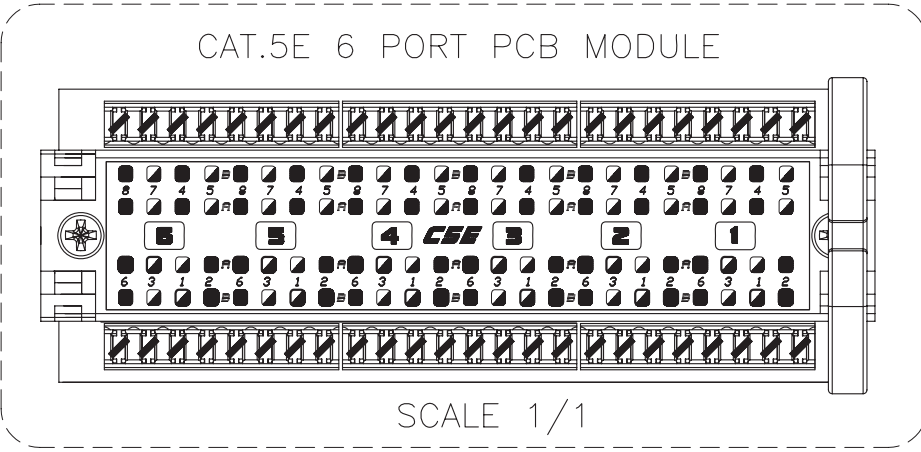
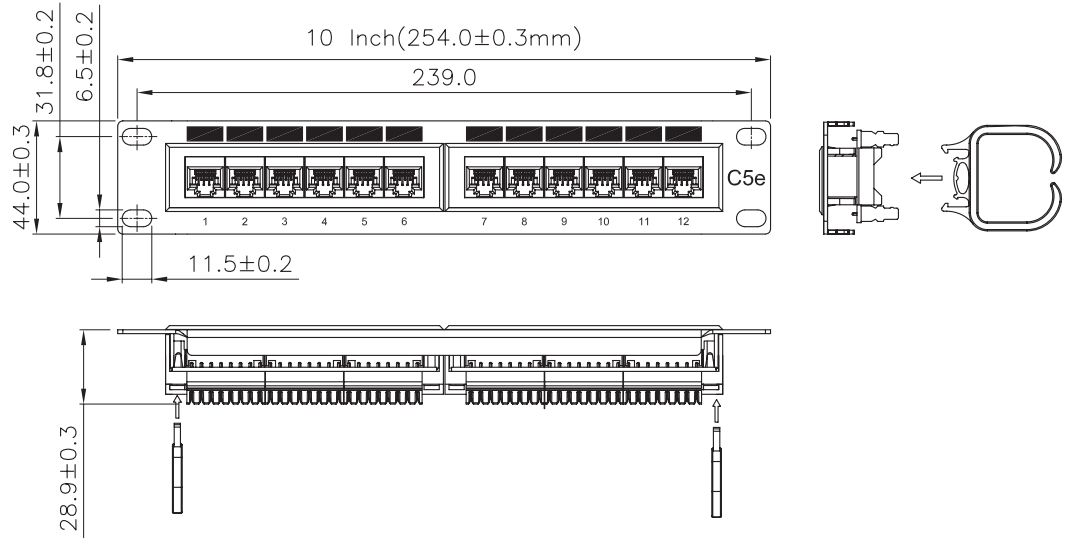
Specifications :

Material :

1. Panel : SPCC, 1.5 mm thickness with Black(RAL 9005) color painted.
2. RJ45 Jack Housing : ABS, UL 94V-0.
3. RJ45 Jack Contact material & finished :
3-1. Phosphor Bronze.
3-2. Contact area : Min. 3 mm 50 micro-inch Gold plated over Nickel plated.
4. IDC Housing : PC+5%GF, UL 94V-2.
5. IDC Terminal material & finished :
5-1. Phosphor Bronze with min. 50 micro-inch Tin plated.
5-2. Compatible with both 110 & Krone punch down tools.
5-3. Suitable for 22-26 AWG stranded & solid wire.
6. Jack Bracket Set : ABS, UL 94V-0.
7. Cable Holder : Nylon.

Performance :

- a. Wiring : T568A & T568B.
- b. Insertion force : 900 gm for 8 contacts.
- c. Retention strength : 7.7 kg between Jack and Plug.
- d. Operating temperature : -10°C to 60°C.(ISO/ICE 11801, ANSI/TIA/EIA 568 B.2)
- e. Durability :
Jack : 750 cycles Plug-Jack mating and unmating test, Insertion cycles at 20 cycles/minute max. Contact resistance test per 100 cycles.
- f. The Cat.5e transmission performance is in compliance with the ANSI/TIA/EIA 568 B.2 standard.



1 2 3 4 5 6

10cm