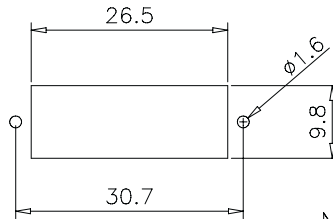
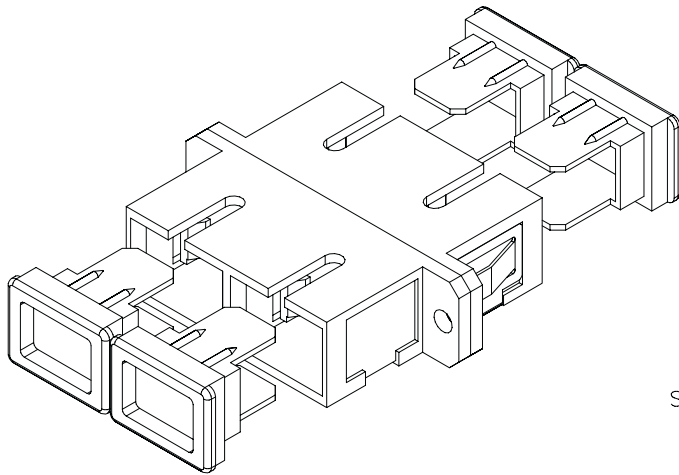


## DESCRIPTION

RECOMMENDED PANEL THICKNESS 1.60±0.1



SUGGESTED PANEL CUTOUT

## MECHANICAL :

	MATERIAL	Q'TY
1. SC HOUSING	PBT(UL 94-V0) Ivory Color	2
2. HOLDER	PBT(UL 94-V0)	4
3. SLEEVE	PHOSPHOR BRONZE	2
4. CLIP	STAINLESS	1
5. DUST COVER	PP	4

SC-Duplex Adapter/Coupler Multimode, beige

156140 = OM1/OM2 (Beige)

156146007 = OM4 (Beige)

NOTE: TOL ± 0.1 m/m



DIGITAL DATA  
COMMUNICATIONS

