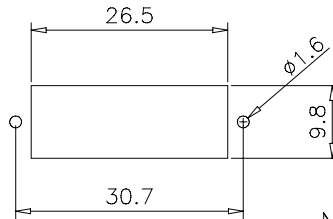
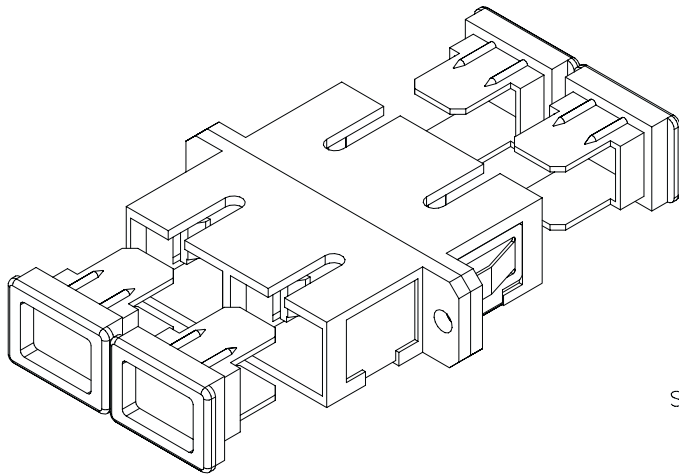


## DESCRIPTION

RECOMMENDED PANEL THICKNESS 1.60±0.1



SUGGESTED PANEL CUTOUT

## MECHANICAL :

1. SC HOUSING
2. HOLDER
3. SLEEVE
4. CLIP
5. DUST COVER

### MATERIAL

PBT(UL 94-V0) Ivory Color  
 PBT(UL 94-V0)  
 PHOSPHOR BRONZE  
 STAINLESS  
 PP

### Q'TY

2  
 4  
 2  
 1  
 4

NOTE: TOL ± 0.1 m/m



**DIGITAL DATA  
 COMMUNICATIONS**



SC-Duplex Adapter/Coupler Multimode, beige