



## USB 3.0 C Male to A Female Cable

133455

The equip® USB Type C to USB Type A female Adapter lets you connect USB Type C enabled devices (new Macbook, Chromebook Pixel) to USB Type A devices and peripherals (flash drives, keyboards, mice). Also charge your device as well as sync your photos, music and data to your existing laptop at transfer speeds of 5Gbps.

### | Specification

<b>Connectors</b>	1 x USB Type C Male 1 x USB3.1 Type A Female
<b>Length</b>	15CM
<b>Weight</b>	10g
<b>Packing</b>	Equip Zipper bag

### | Key Features

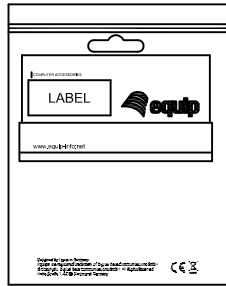
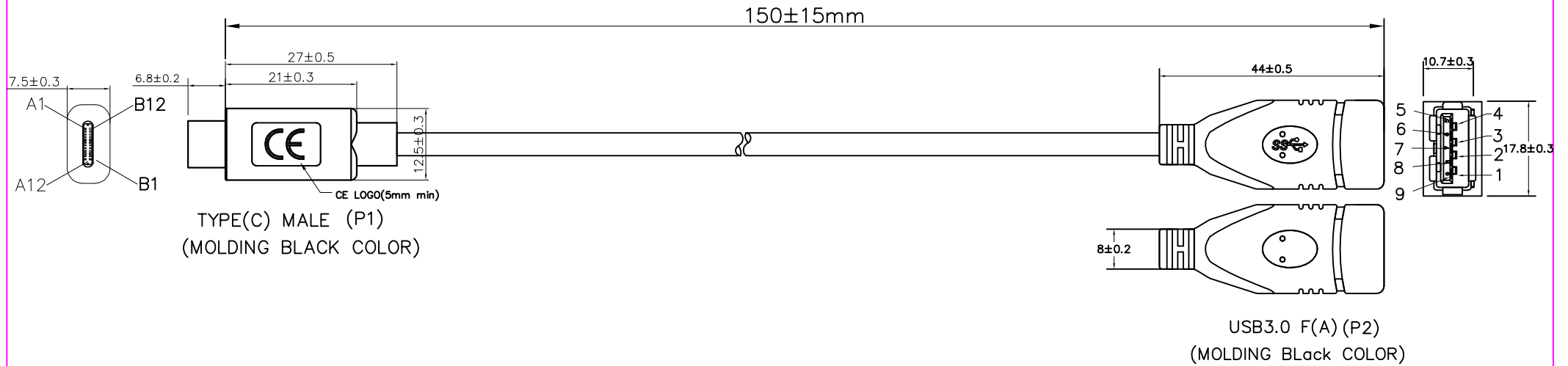
- USB Type C Male to USB3.1 A Female
- At transfer speeds up to 5Gbps

### | Ordering Information

PN	EAN	Package Size	Weight
133455	4015867199695	190x90x26mm	51g

### | Package Contents

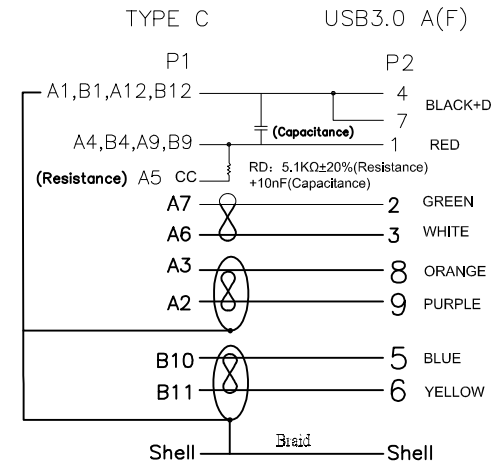
- 1 x Type C to USB3.1 Adapter



DDC ZIP BAG+LABEL  
10PCS/PE BAG

NOTE:

- CABLE: UL2725,AL+D+B(16/4/0.12BC)-FOIL,30AWG\*1P+24AWG\*2C+F+(30AWG\*1P+D+AL+MYLAR)\*2C, BLACK COLOR,OD=5.0±0.2mm,PVC JACKET.
- LENGTH: 0.15m.
- CONNECTORS: USB3.0AF\*1PCS(BLUE INSULATOR),TYPE C\*1PCS(BLACK INSULATION)(SHELL NICKEL).
- MOLD:MOLDING USB TYPE.
- CONTACTS:
- Test machine test condition.  
A.100% OPEN,SHORT,Miswiring&INTERMITANCE TEST.  
B.CONDUCTOR RESISTANCE: 3ohms MAX:  
C.INSULATION RESISTANCE:10M Min/,10ms:
- ALL MUST BE MEET ON ROHS COMPLIANT.



COMPANY	DDC		ITEM NO.	133455	NO	F004-21-07004-A
REVISION	DATE	DISCRIPTION	DRAWN BY	Yuwenming		
REV.A/0	2019.10.30	GD2019100459	DESIGNED BY	Chenrunming		
			APPROVAL BY	Chenlianwei		



SCALE	1:1
UNIT(mm)	
PAGE	1/1