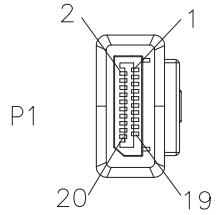


REV	DESCRIPTION OF CHANGE	DATE
A0	INITIAL RELEASE	2016-2-24

200 ± 10mm

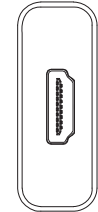
DISPLAYPORT PLUG



10.9 ± 0.2

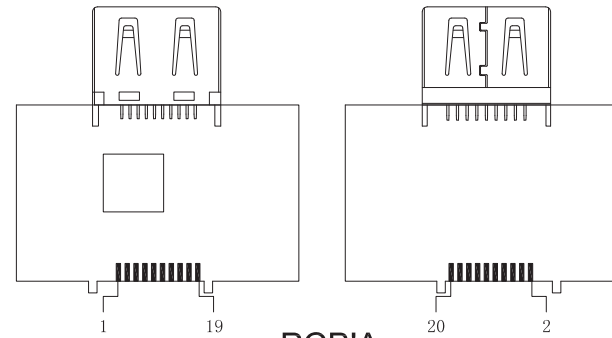
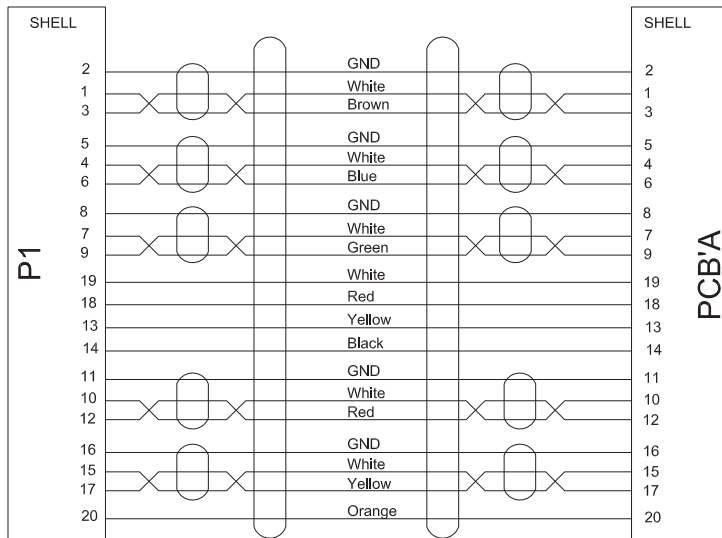
①③④

HDMI FEMALE



P2

③②



PCB'A

TEST WITH 4K*2K RESOLUTION

4	Cover	DP (M) Black Bottom Case DP (M) Black Top Case	1 Pcs 1 Pcs
3	PVC	60P PVC BLACK	10.5g
2	Cover	HDMI Black Case	1 Pcs
	Front Cover	HDMI Front Cover Black.	1 Pcs
	Cable clamp	VGA/HDMI/DVI PCB'A 32#Cable clamp	1 Pcs
	CONN	DP TO HDMI A/F PCB'A, BLACK Plate Nickel	1 Pcs
1	CABLE	UL20276 (32AWG*1P+D+AL/MY) *5C+32AWG*5C+MY/AL+BRAID, JACKET PVC BLACK. OD=5.5 ± 0.20mm	1 Pcs
NO.	Material name	Specification description	Q'TY

DWG NO		UNIT		
REV	A0	SCALE		
PAGE	1/1			
DESIGN		<small>DIMENSIONS ARE IN MILLIMETERS TOLERANCES:</small> LINEAR: X ± 1.0 XX ± 0.5 XXX ± 0.15 XXXX ± 0.05 ANGULAR: ± 0.5°	TITLE	DP to HDMI Adapter Cable
CHECKED			PART NO	133438
APPROVED				