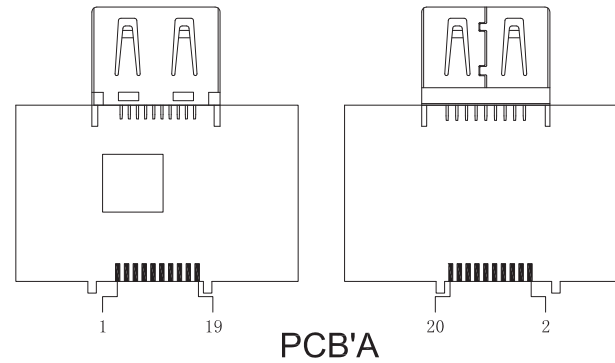
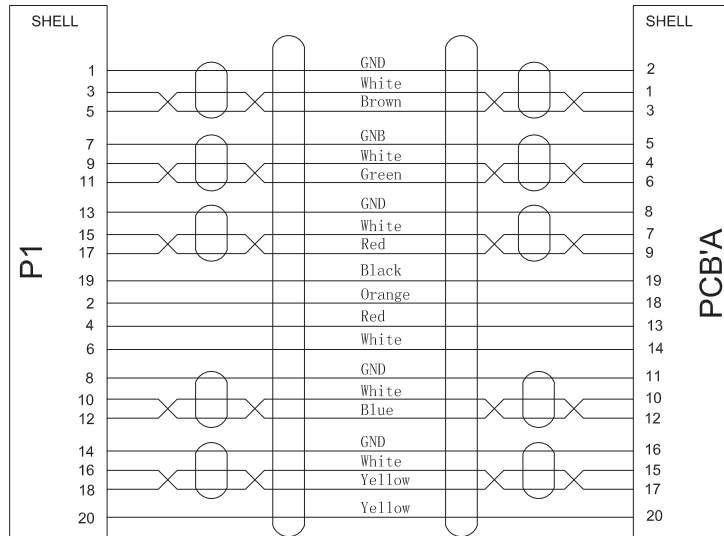
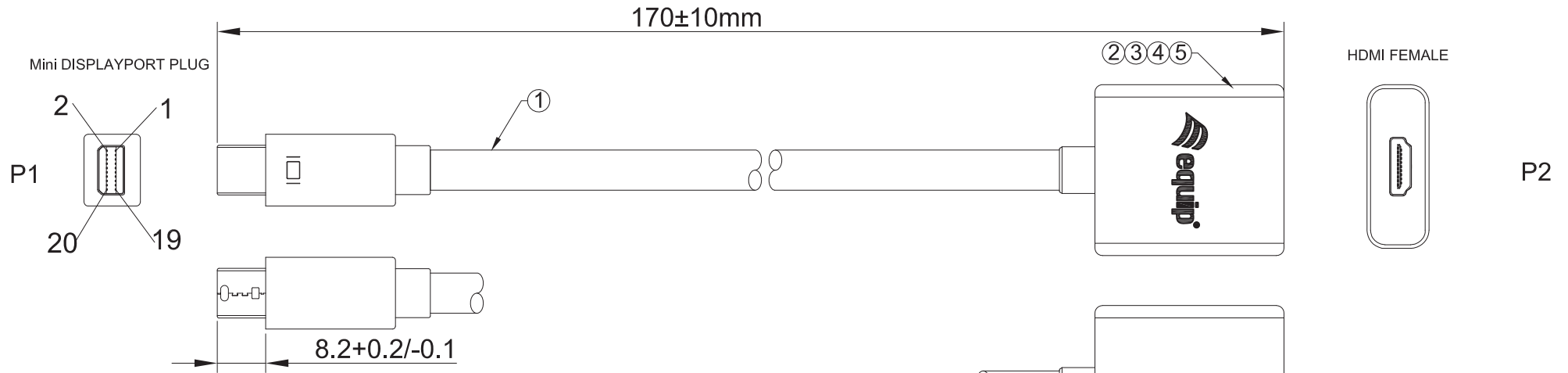


RoHS Compliant

REV	DESCRIPTION OF CHANGE	DATE
A0	INITIAL RELEASE	2016-2-24



5	PVC	60P PVC Black	9.10g
4	Cover	HDMI Black Case.	1 Pcs
3	Front Cover	HDMI Front Cover	1 Pcs
2	Cable clamp	VGA/HDMI/DVI PCB'A 32# Cable clamp	1 Pcs
	CONN	Mini DP TO HDMI A/F PCB'A,Plate Gold	1 Pcs
1	CABLE	UL20276(32AWG*1P+D+AL/MY)*5C+32AWG*5C+MY/AL+BRAID, JACKET PVC BLACK. OD=5.5±0.20mm	1 Pcs
NO.	Material name	Specification description	Q' TY

DWG NO	(UNIT) MM
REV	(SCALE)
PAGE	1/1
DESIGN	<small>DIMENSIONS ARE IN MILLIMETERS TOLERANCES:</small> LINEAR: X ± 1.0 XX ± 0.5 XXX ± 0.15 XXXX ± 0.05 ANGULAR: ± 0.5°
CHECKED	
APPROVED	

TITLE	Mini DP to HDMI Adapter Cable
PART NO	133434