



## 2-Ports Cat.5e RJ45 Splitter

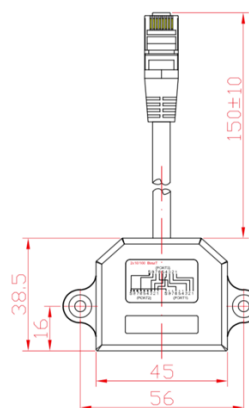
127608

The equip<sup>®</sup> RJ45 Splitter is a passive component to split on RJ45 port into two, an easy and economical way to utilize existing network system with two RJ45 devices.

### | Specification

<b>Category</b>	Cat.5e
<b>Material</b>	Plated ABS Plastic
<b>Shielding</b>	Shielded
<b>Gold Plated</b>	Yes
<b>Dimension</b>	67.5x188.5x24mm
<b>**Product pairwise use is necessary.</b>	

### | Drawing:



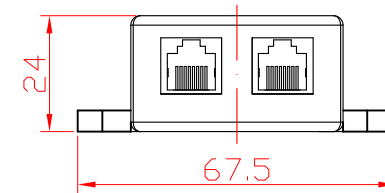
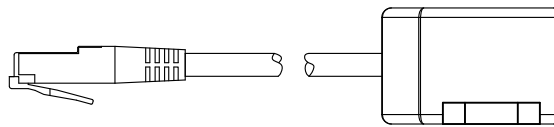
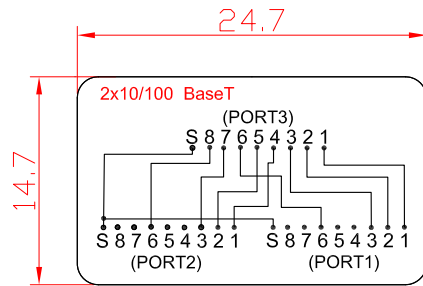
### | Ordering Information

PN	EAN	Color
127608	4015867206829	Silver

### | Package Contents

- 2-Ports Cat.5e RJ45 Splitter

Packing: equip zip bag



NOTES:

ELECTRICAL:

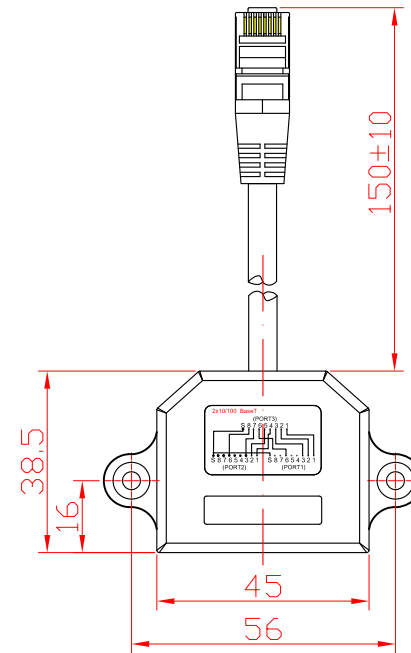
1. VOLTAGE RATING: 125 VAC RMS
2. CURRENT RATING: 1.5 AMP
3. CONTACT RESISTANCE: 100MILLIOHMS MAX
4. INSULATION RESISTANCE: 100 MEGOHMS MIN @500 VDC
5. DIELECTRIC STRENGTH: 750 VAC RMS 60Hz, 1MIN

ENVIRONMENTAL:


1. STORAGE: -40°TO+85°
2. OPERATION: 0°TO70°

MECHANICAL:

1. HOUSING MATERIAL: PC
2. INSERT MATERIAL: FAME RETARDANCY ABS
3. PCB MATERIAL: FR-4 T=1.6mm
4. CONTACT MATERIAL: PHOSPHOR BRONZE  
STAMP PIN T=0.30mm
5. IDC CONTACT MATERIAL: PHOSPHOR BRONZE T=0.50mm WITH TIN PLATING
6. RJ45 JACK ;LIFE: 750 TIMES MIN



SYM	Number	Bill No.of Alteration	Signature	Date
Drawn	Ding jian bo	2015.12.28	Tolerance	
Checked	Ge pei jun	2015.12.28	0.00-20.00	+0.10
			20.00-30.00	±0.15
			30.00-100.00	±0.20
Approved	Wang wei jun	2015.12.28	100.00-	±0.25
			Angle	±30

								Item No.	127608	
Material					Size		Scale	Unit	Part Name	2*10/100Base T Adapter
Angles Projection					A4		X:1	mm	ERP Part No.	
Sheet		1 OF 1			Version: A/0					