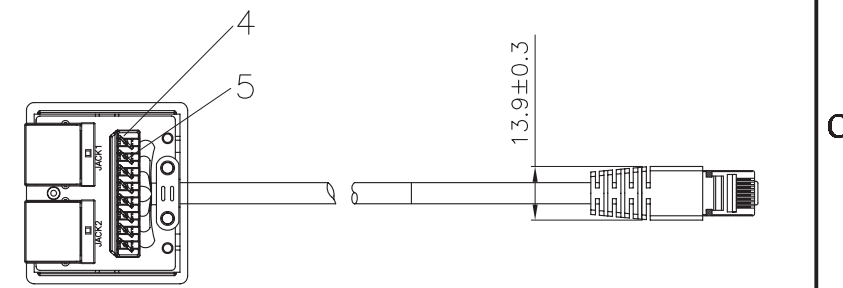
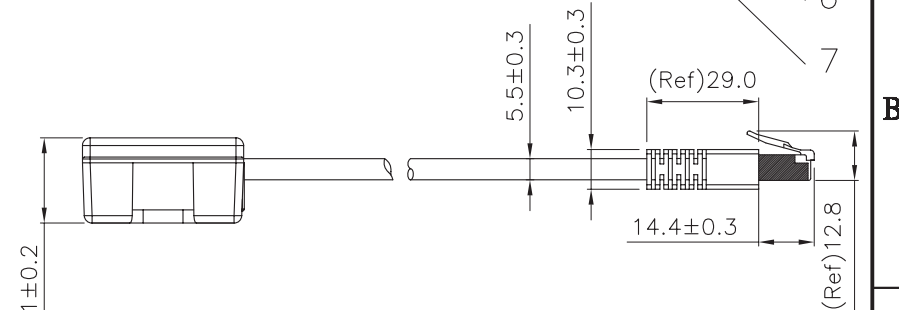
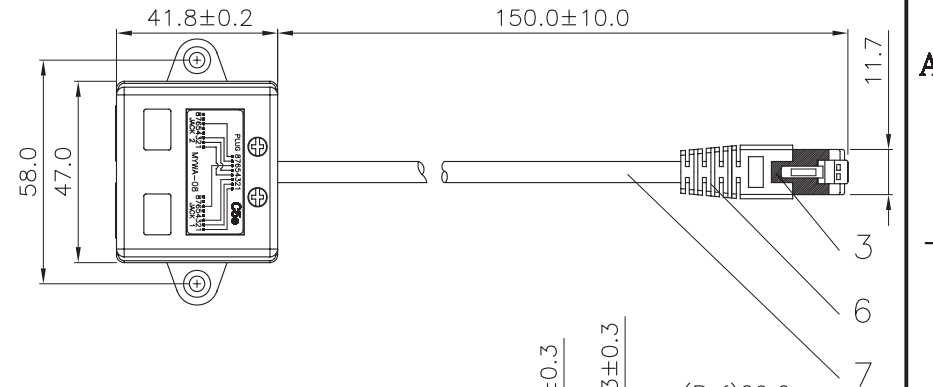
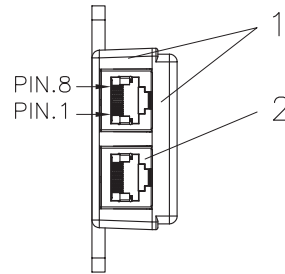
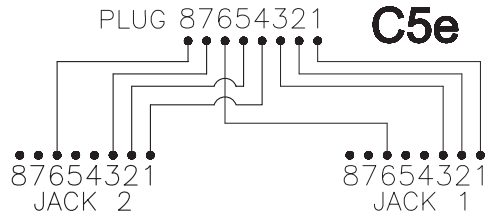


Wiring information



Specification:

- Material :
1. Top & Bottom case : ABS, UL 94-HB, with Nickel plated.
 2. RJ45 JACK :
 - 2-1 Housing : PBT+15%GF, UL 94V-0.
 - 2-2 Shield : Bronze with Nickel plated.
 - 2-3 Contact Material : Phosphor Bronze with 50-60 micro-inch Nickel plated.
Finished : Min. 50 micro-inch Gold plating over 50-60 micro-inch Nickel plated.
 3. RJ45 Plug :
 - 3-1 Housing : Polycarbonate, UL 94V-2, Transparent color.
 - 3-2 Shield : Bronze with Nickel plated.
 - 3-3 Contact Terminal : Phosphor Bronze with 50-60 micro-inch Nickel plated.
Contact Finished : 50 micro-inch Gold plated.
 4. IDC Housing : PC+5%GF, UL 94V-2.
 5. IDC Terminal material & finished :
 - 5-1 Phosphor Bronze with 50-60 micro-inch Tin plated.
 - 5-2 Krone tool only.
 - 5-3 Suitable for 22-26 AWG stranded & solid wire.
 6. Assembly Type : Normal Molded, Gray(RAL 7035) PVC.
 7. Cable Type : (FTP)Foil Shielded Twisted Pair, 26 AWG Stranded Conductor.

- Performance :
- a. Insertion Force : 900 gms for 8 contacts.
 - b. Retention Strength : 7.7 kgs between Jack and Plug.
 - c. Operation Temperature : -40°C to 80°C.
 - d. Durability :
 - 750 cycles Plug-Jack mating and unmating test, insertion cycles at 20 cycles/minute max. Contact resistance test per 100 cycles.

GENERAL TOLERANCE OF DIMENSIONS	
X.XXX	±0.005
X.XX	±0.05
X.X	±0.1



Cat.5e RJ45 modular "Y" wiring adaptor, shielded