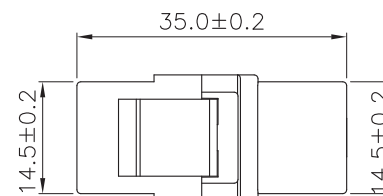
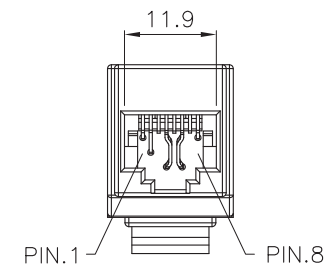
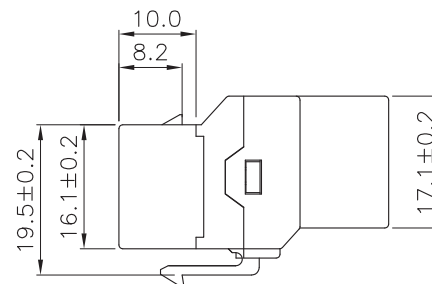
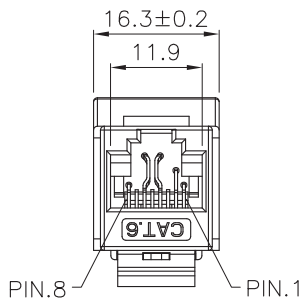


SCALE 1/1



Specification :

Material :

1. RJ45 Jack :
 - 1-1. Housing : ABS+PC, UL 94V-0.
 - 1-2. Contact Bracket : PC, UL 94V-2, Transparent color.
2. RJ45 Jack Contact :
 - 2-1. Material : Phosphor Bronze with Nickel plated.
 - 2-2. Finish : 50 micro-inch Gold plated on Plug contact area.
3. PCB : FR4, UL 94V-0.

Performance :

- a. Insertion force : 20N max. (IEC 60603-7-4).
- b. Retention strength : 7.7 kg between Jack and Plug.
- c. Operating temperature : -10°C to 60°C. (ISO/IEC 11801, ANSI/TIA/EIA 568 C.2)
- d. Life(mating cycles) : 750 cycles min. (ISO/IEC 11801, IEC 60603-7-4).
- e. The Cat.6 transmission performance is in compliance with the ANSI/TIA/EIA 568 C.2 standard.

