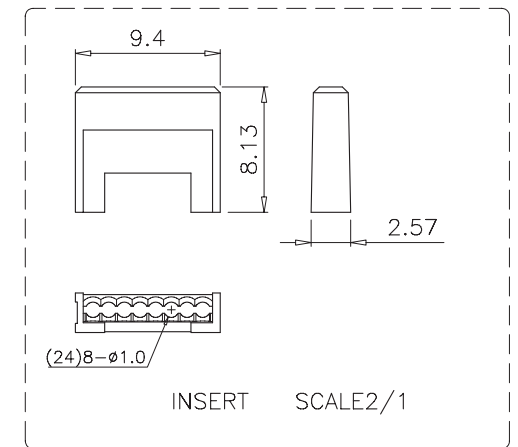
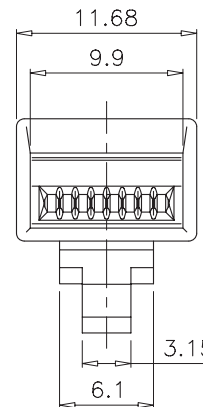
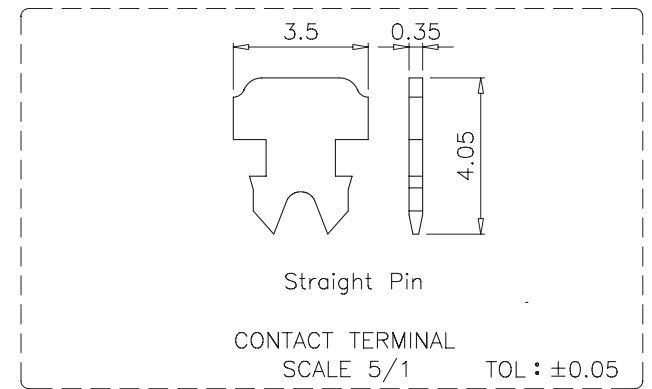
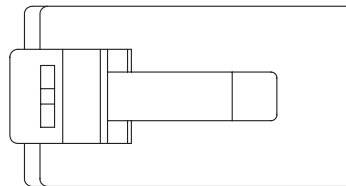
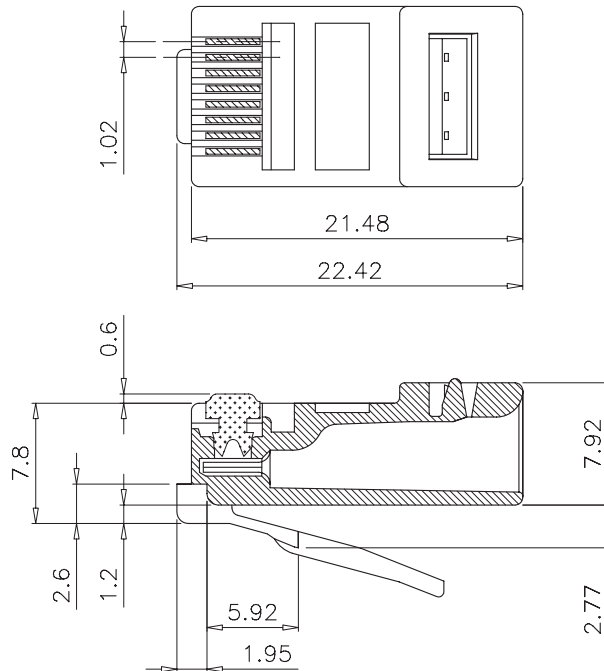
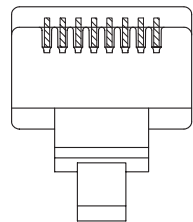


SCALE 2/1



Specification :

Material :


1. Housing : Polycarbonate, UL 94V-2, Transparence color.
2. Contact Terminal : Phosphor Bronze.  
Finished : 50 micro-inch Gold plating

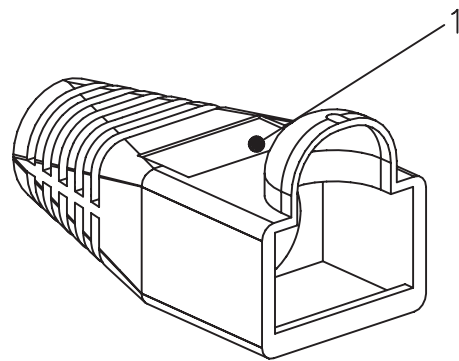
Performance :

- a. Operation Temperature : -40°C to 80°C.
- b. Cable to Plug Tensile Strength : 7.7 kgs.
- c. Use for 24-26 AWG stranded wires.

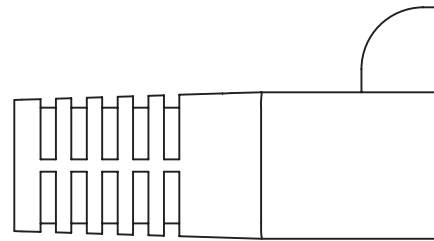
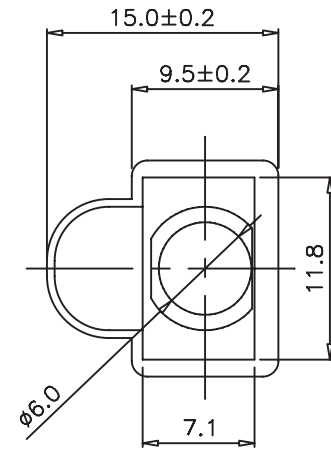
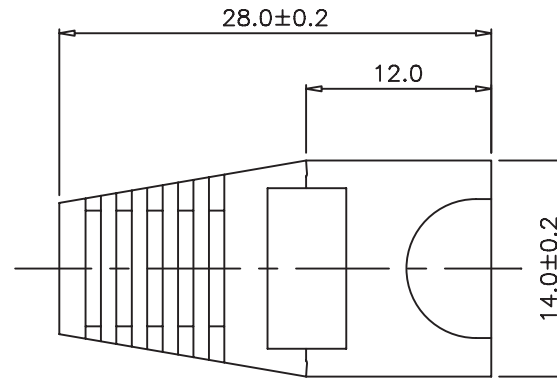
Remark: PRA88XXXX  
(1) (2)

- (1) XX : Gold plating Thickness  
50=50U''.
- (2) XX : Contacts Type  
Blank=Straight Pin

GENERAL TOLERANCE OF DIMENSIONS ±0.1	DRAWING	22.JUN.2005	ZWF						
	CHECK	22.JUN.2005	DAY						
	APPROVAL	22.JUN.2005	JAIMY						
		DATE	NAME		ITEM NO.: PRA88XXXX				
	SCALE	2/1 (A4)	UNIT	mm	DES.: Unshielded 8P8C With Insert				
					DRAWING NO. PRA88XXXX(SA1)				
					DRAWING CLASSIFICATION	S	SHEET	1 OF 1	A1






SCALE 2/1



Boot COLOR: GRAY=(RAL7035)

Specification :

Material :  
1. SR : PVC 70%.

GENERAL TOLERANCE OF DIMENSIONS X.XXX ±0.005 X.XX ±0.05 X.X ±0.1	DRAWING	27.APR.2008	LSY	
	CHECK	27.APR.2008	LSY	
	APPROVAL	27.APR.2008	JAIMY	
	DATE		NAME	ITEM NO.: PBAJAA3107XXXXX
SCALE	2/1 (A4)	UNIT	mm	DES.: SR-V11 Ø6.0mm
		DRAWING NO. PBAJAA3107XXXXX&SR-V11-XXB(SA1)		
DRAWING CLASSIFICATION		S	SHEET 1 OF 1	