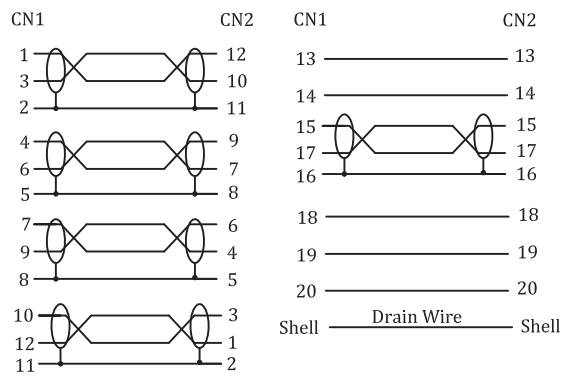


PIN OUT



Model No.	Length
119331	1M
119332	2M
119333	3M
119337	5M

Notes:

- Electronic Tests:
 - 100% OPEN/SHORT/INTERMITTENCE
 - Insulation Resistance: DC 300V 10M OHM
 - Conductitive Resistance: 3 OHM
- RoHS Compliant

S/N.	P/N.	SPECIFICATIONS	QTY	UNIT	REMARKS
④	OUTER MOULD	45P, PVC, Black	4	G	
③	HOOD	ABS, Plastic Hood, Black	2	PCS	
②	CONNECTOR	DP 20P Male, with Latch, Pin Gold, Shell Nickel Plated	2	PCS	
①	CABLE	30AWG(1/0.254BC*1P+1/0.254CCS+WAM)*5P+1/0.254BC*1P+1/0.254BC*2C+EA E:1/0.254CCS, BLACK JACKET, OD:5.5±0.2MM	1000	MM	

DisplayPort Male to Male Cable

