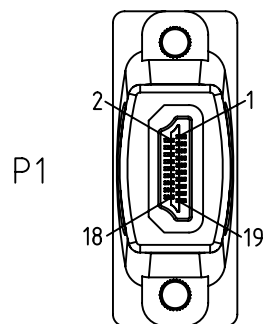
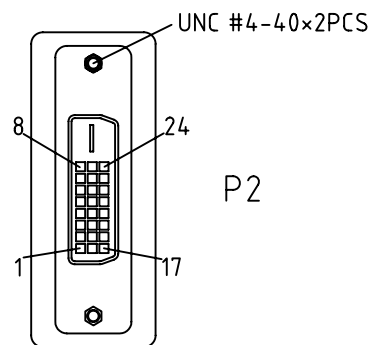
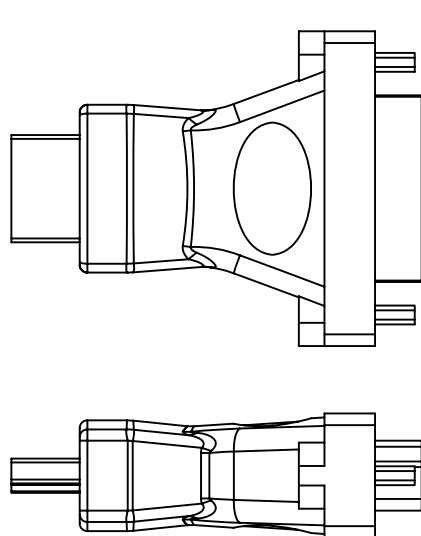


HDMI MALE
PLASTIC:BLACK



DVI_D FEMALE
PLASTIC:BLACK



NOTE:

1.HOOK UP WIRE:NON-UL 28AWG

2.CONNECTOR:

P1: HDMI 19P MALE CONTACT:15u"; SHELL:GOLD-PLATED .

P2: DVI 24+KEY DIGITAL FEMALE CONTACT:G/F,SHELL:GOLD-PLATED .

3.INNER MOLD WITH COPPER FOIL

4.HOOD:MOLDED TYPE,PVC 45P,COLOR:BLACK(NK-K01) .

5.ELECTRICAL TEST:

(1)100% OPEN SHORT & MIS WIRE TEST.

(2)CONTACT RESISTANCE 3 ohm Max .

(3)INSULATION RESISTANCE 5M ohm Min .

6.PACKING:EACH PC / equip BLISTER

HDMI	<u>PIN OUT</u>	DVI_D	CABLE FUNCTION
P1		P2	
1		2	TMDS DATA 2+
3		1	TMDS DATA 2-
2		3	TMDS DATA 2 SHIELD
4		10	TMDS DATA 1+
6		9	TMDS DATA 1-
5		11	TMDS DATA 1 SHIELD
7		18	TMDS DATA 0+
9		17	TMDS DATA 0-
8		19	TMDS DATA 0 SHIELD
10		23	TMDS CLOCK +
12		24	TMDS CLOCK -
11		22	TMDS CLOCK SHIELD
15		6	DDC CLOCK(SCL)
16		7	DDC DATA(SDA)
17		15	GROUND(+5V&DDC)
18		14	POWER +5V
19		16	HOT PLUG DETECT
SHELL			SHELL GROUND

Tolerance	Inch	M/M
.X	.015	.30
.XX	.010	.10
.XXX	.005	.05



HDMI > DVI Digital (24+1) Adapter
M > F, black with gold plated plugs