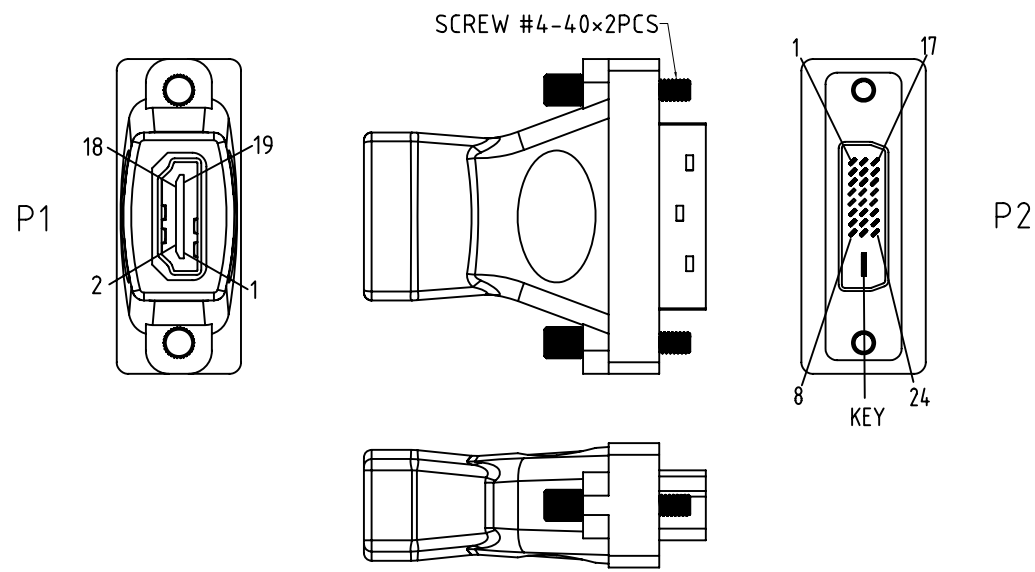


LTR	REV.	DESCRIPTION	DATE

HDMI FEMALE  
PLASTIC:BLACK

DVI\_D MALE  
PLASTIC:BLACK



HDMI	PIN OUT	DVI_D	CABLE FUNCTION
P1		P2	
1	_____	2	TMDS DATA 2+
3	_____	1	TMDS DATA 2-
2	_____	3	TMDS DATA 2 SHIELD
4	_____	10	TMDS DATA 1+
6	_____	9	TMDS DATA 1-
5	_____	11	TMDS DATA 1 SHIELD
7	_____	18	TMDS DATA 0+
9	_____	17	TMDS DATA 0-
8	_____	19	TMDS DATA 0 SHIELD
10	_____	23	TMDS CLOCK +
12	_____	24	TMDS CLOCK -
11	_____	22	TMDS CLOCK SHIELD
15	_____	6	DDC CLOCK(SCL)
16	_____	7	DDC DATA(SDA)
17	_____	15	GROUND(+5V&DDC)
18	_____	14	POWER +5V
19	_____	16	HOT PLUG DETECT
SHELL	_____		SHELL GROUND

- NOTE:
- 1.HOOK UP WIRE:NON-UL 28AWG
  - 2.CONNECTOR:  
P1: HDMI 19P FEMALE CONTACT:15u"; SHELL:GOLD-PLATED .  
P2: DVI 24+KEY DIGITAL MALE CONTACT:G/F,SHELL:GOLD-PLATED .
  - 3.INNER MOLD WITH COPPER FOIL
  - 4.HOOD:MOLDED TYPE,PVC 45P,COLOR:BLACK(NK-K01) .
  - 5.ELECTRICAL TEST:  
(1)100% OPEN SHORT & MIS WIRE TEST.  
(2)CONTACT RESISTANCE 3 ohm Max .  
(3)INSULATION RESISTANCE 5M ohm Min .
  - 6.PACKING:EACH PC / equip BLISTER

Tolerance	Inch	M/M
.X	.015	.30
.XX	.010	.10
.XXX	.005	.05



HDMI > DVI Digital (24+1) Adapter  
F > M, black with gold plated plugs