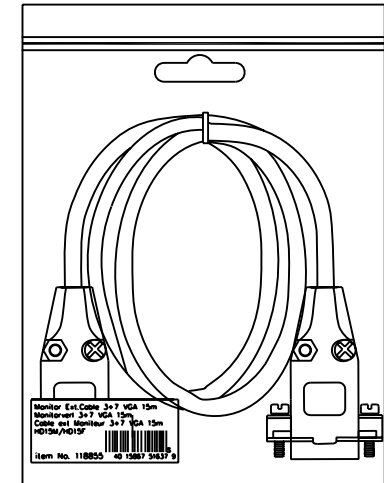
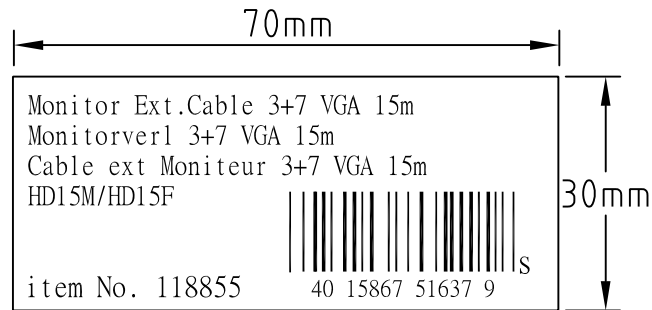


NOTE:

1. CABLE: 28AWG,UL2919,AL+B-FOIL,3COXIAL+7C,BLACK WITH EMBOSS,OD=9.0mm,PVC JACKET
2. LENGTH:15M
3. CONNECTOR:HDB15F*1,HDB15M*1(CUT 9 PIN)(BLUE INSULATOR).
4. MOLD: ASS'Y OUT SHELL
5. SCREW: INCH SHORT SCREWS*4PCS
6. CONTACTS:

HDB15M	1	2	3	6	7	8	4	5	10+11	12	13	14	15	64
HDB15F	1	2	3	6	7	8	4	5	10+11	12	13	14	15	64
	R	G	B	R	G	B								
	C	C	C	G	G	G								

7. OPEN/SHORT TEST:100% TEST.
INSULATION: 2M.



PE BAG WITH ZIPPER(280*360*0.08)
10PCS/CTN

COMPANY			ITEM NO.	118855				
REVISION	DATE	DISCRIPTION	DRAWN BY					
REV.A/0	20.10.17	PRODUCTION	DESIGNED BY					
REV.A/2	2005.03.03	MD PIN OUT	APPROVAL BY					
							SCALE	NON
							UNIT(mm)	
							DRAWING NO.	

