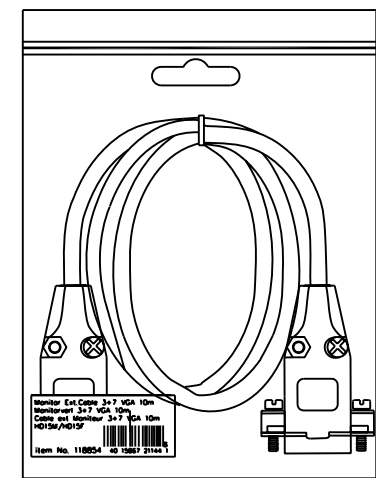
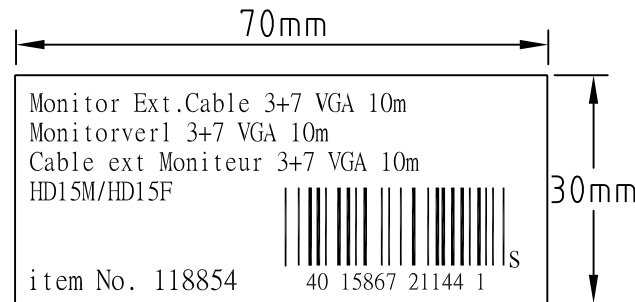


- NOTE:
- CABLE: 28AWG,UL2919,AL+B-FOIL,3COXIAL+7C,BLACK WITH EMBOSS,OD=9.0mm,PVC JACKET
 - LENGHT:10M
 - CONNECTOR:HDB15F*1,HDB15M*1(CUT 9 PIN)(BLUE INSULATOR).
 - MOLD: ASS'Y OUT SHELL
 - SCREW: INCH SHORT SCREWS*4PCS
 - CONTACTS:
- | | | | | | | | | | | | | | | |
|--------|---|---|---|---|---|---|---|---|-------|----|----|----|----|----|
| HDB15M | 1 | 2 | 3 | 6 | 7 | 8 | 4 | 5 | 10+11 | 12 | 13 | 14 | 15 | 64 |
| HDB15F | 1 | 2 | 3 | 6 | 7 | 8 | 4 | 5 | 10+11 | 12 | 13 | 14 | 15 | 64 |
| | R | G | B | R | G | B | | | | | | | | |
| | C | C | C | G | G | G | | | | | | | | |
- OPEN/SHORT TEST:100% TEST.
INSULATION: 2M.



PE BAG WITH ZIPPER(310*250*0.08)
20PCS/CTN

COMPANY		ITEM NO.	118854		
REVISION	DATE	DISCRIPTION	DRAWN BY		
REV.A/0	20.10.16	PRODUCTION	DESIGNED BY		
REV.A/2	2005.03.03	MD PIN OUT	APPROVAL BY		



SCALE	NON
UNIT(mm)	
DRAWING NO.	