

- NOTE:
1. CABLE: 28AWG, NON-UL, AL-FOIL, 15C+1, BEIGE COLOR, PVC JACKET, OD=6.0mm.
  2. LENGTH: 1800mm.
  3. CONNECTOR: HDB15M \* 2 (BLUE INSULATOR) (FULL PIN)
  4. MOLD: QUICK ASSEMBLY OUT SHELL,
  5. SCREW: LONG SCREW \* 4
  6. CONTACTS:
 

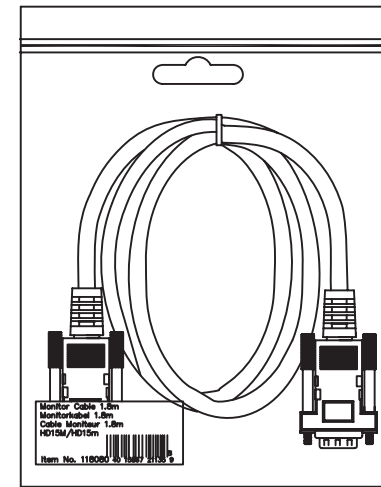
HDB15M		1	2	3	4	5	6	7	8	9	10	11	12	13	14	15	64
HDB15M		1	2	3	4	5	6	7	8	9	10	11	12	13	14	15	64
  7. OPEN/SHORT TEST: 100% TEST.  
INSULATION: 1M.

70mm

Monitor Cable 1.8m  
Monitorkabel 1.8m  
Cable Moniteur 1.8m  
HD15M/HD15m

item No. 118080 40 15867 21135 9

30mm



PE BAG WITH ZIPPER  
(245\*170\*0.08)  
100PCS/CTN

COMPANY		ITEM NO.	118080	A2136				
REVISION	DATE	DISCRIPTION	DRAWN BY			<b>Monitor Cable HDB15 M/M, beige</b>	SCALE	NON
REV.A/0	20.10.11	PRODUCTION	DESIGNED BY				UNIT(mm)	
REV.A/1	2007.12.04		APPROVAL BY				DRAWING NO.	